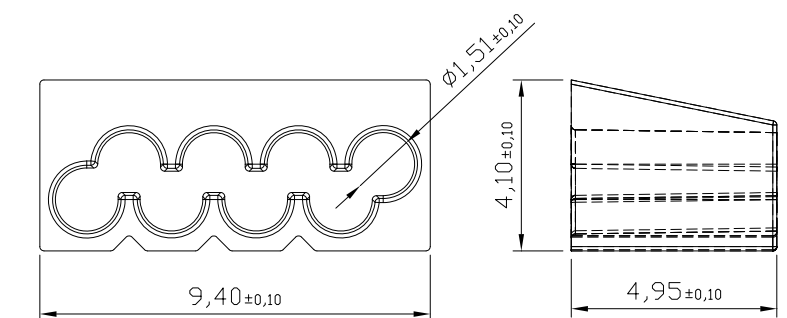
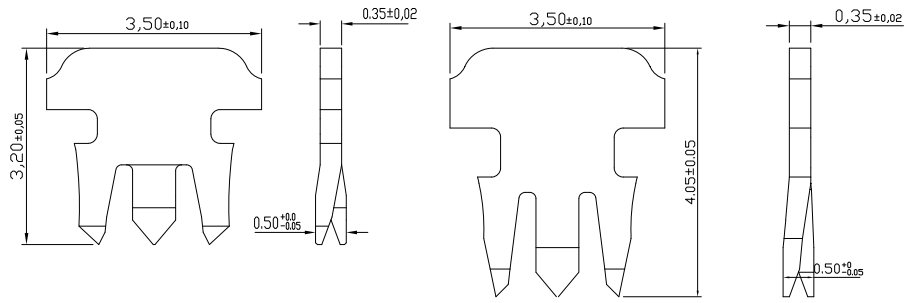
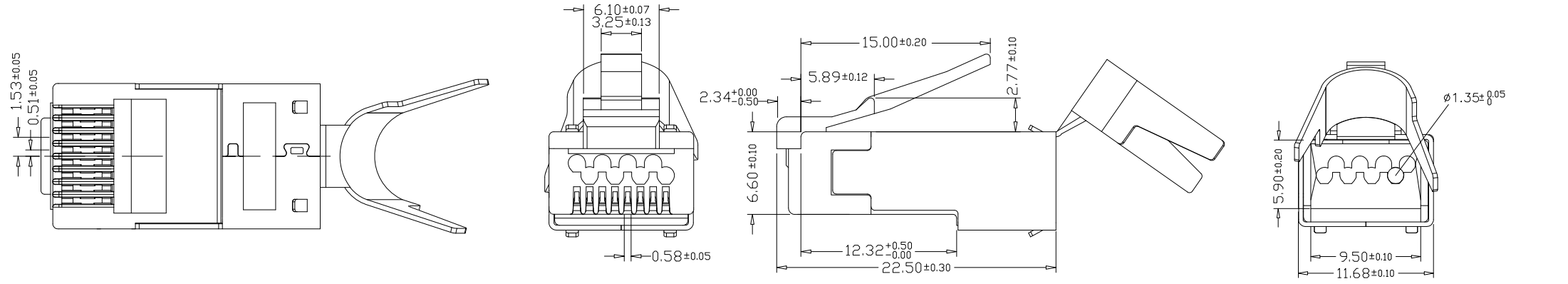


| REVISION INFORMATION | | | |
|----------------------|-----------|-------------|-------------------|
| Rec. | Rec. Date | Modified By | Brief Description |
| | | | |
| | | | |



“G”: 3 PRONGS FOR STRANDED & SOLID WIRE(S)

LINER : MGX6-15

TOLERANCE:

LINEAT: X. =±1, .X =±0.5, .XX=±0.05

ANGULAR: X.° =±1°, .X° =±0°'30"

FILLET: R2=RAD.2mm, R5=RAD.5mm, XR=MAX RAD.

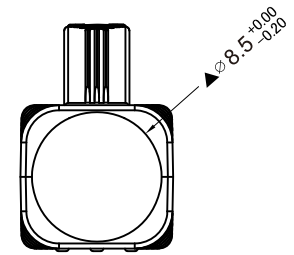
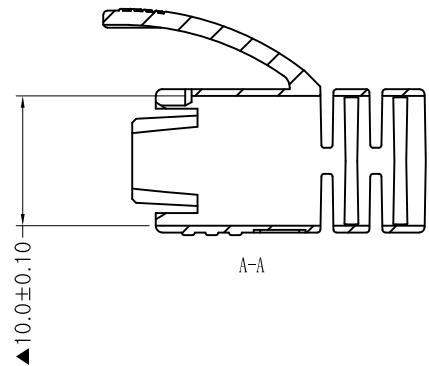
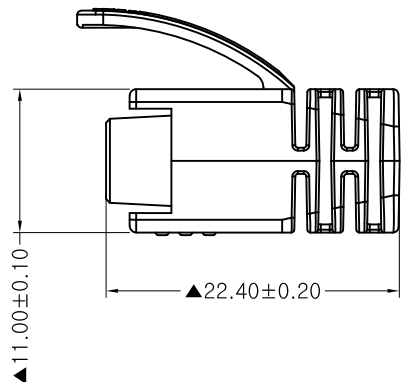
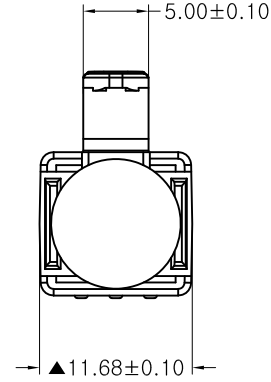
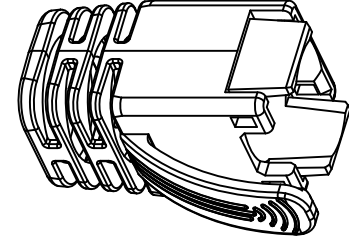
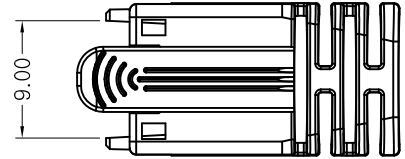
CHAMFER: C0.5=CHAM0.5mm, C1=CHAM1mm

Material & Brand(Logo):

1. Housing Material: (Polycarbonate(PC) □UL 94V-0 □UL 94V-2)
2. Contact Type: (3 prongs for STRANDED & SOLID wire)
3. Gold Plating:(□50U”(≥1.27µm))
4. Contact Material: (Phosphor Bronze)
5. Shield Material: Brass with nickel plating
- 6.SUITABLE FOR STRANDED & SOLID WIRE 24~23 AWG. (It can be used for the wire OD from Ø 1.2 ~ Ø1.35)

| | | | |
|-------------|--|---------------|--------------|
| ITEM NO: | Easy-Connect Large Diameter RJ45 CAT.6A Shielded Connector | DRAWER DATE | FW 20250207 |
| TITLE | | CHECKED DATE | ACE 20250207 |
| CUSTOMER | | APPROVED DATE | |
| MATERIAL | SCALE | | |
| REV. A | UNIT | MM | |
| DRAWING NO: | 50207150 | | |
| ACAD FILE | E:\ | | |

| REVISION INFORMATION | | | |
|----------------------|-----------|-------------|-------------------|
| Rec. | Rec. Date | Modified By | Brief Description |
| | | | |
| | | | |



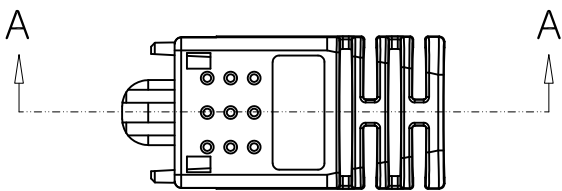
TOLERANCE:

LINEAT:
X. =±1
.X =±0.5
.XX=±0.05

ANGULAR:
X.° =±1°
.X° =±0°'30'

FILLET:
R2=RAD.2mm
R5=RAD.5mm
XR=MAX RAD.

CHAMFER:
C0.5=CHAM0.5mm
C1=CHAM1mm



| | | | | | |
|-------------|--|------|----|----------|----------|
| ITEM NO: | Easy-Connect Large Diameter RJ45 CAT.6A Shielded Connector | | | DRAWER | FW |
| TITLE | | | | DATE | 20250207 |
| CUSTOMER | | | | CHECKED | ACE |
| MATERIAL | SCALE | | | DATE | 20250207 |
| REV. | A | UNIT | MM | APPROVED | |
| DRAWING NO: | 50207150 | | | DATE | |
| ACAD FILE | E:\ | | | | |

