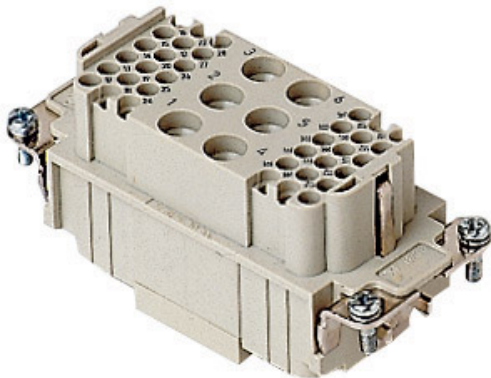


Part number
CXF 6/36



Brief description:

female insert, 6 poles + PE, crimp connections, 40A 690V, (36 poles (10A max - 250V)), 8kV, 3, for female contacts 40A and 10A, size "77.27", CLASS insert series

Product description	
Model	female insert
Version	crimp connections
Series	CX
Product type	for female contacts 40A and 10A
Family	CLASS inserts
Size	size "77.27"
N. of poles	6 poles +
Auxiliary poles	36 poles (10A max - 250V)
Technical data	
Current	40 A (A.C.)
Voltage	690 V
Rated impulse withstand voltage	8 kV
Pollution degree	3
Operating temperature range (min, max)	-40°C ... +125°C
Mating cycles	≥ 500
IP degree of protection	IP20 without enclosure, IP65/IP66/IP68/IP69 with enclosure
Further technical details	
Characteristics according to EN 61984	40A 690V 8kV 3 (aux:10A 160V 2.5kV 3; 10A 250V 4kV 2)
Insulation resistance	≥ 10 GΩ
Rated voltage according to UL/CSA	600V
UL 94 flammability rating	V-0
Weight	72,70 g

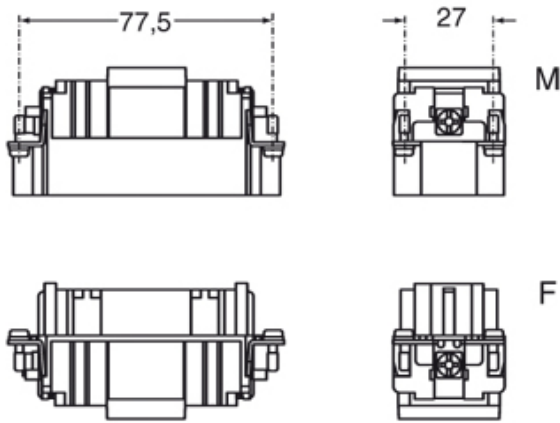
Approvals / Standards	
Reference standard	EN 61984:2009-06
Quality mark	, EAC
Conformity	CQC, CE
General ordering information	
EAN13 code	8015747042413
Tariff number	85369095
Country of origin	Made in EU (IT)
ETIM classification	EC000438
Packaging Information	
Packaging length	230,00 mm
Packaging height	110,00 mm
Packaging width	180,00 mm
Packaging weight	2,57 kg
Packaging volume	4,55 dm ³
Packaging description	Carton box
Packaging quantity	30 Pcs
Packaging EAN code	8015747098588
Sub-packaging length	87,00 mm
Sub-packaging height	36,00 mm
Sub-packaging width	180,00 mm
Sub-packaging weight	0,43 kg
Sub-packaging volume	0,56 dm ³
Sub-packaging description	Carton tray
Sub-packaging quantity	5 Pcs
Sub-packaging EAN barcode	8015747042420

Part number

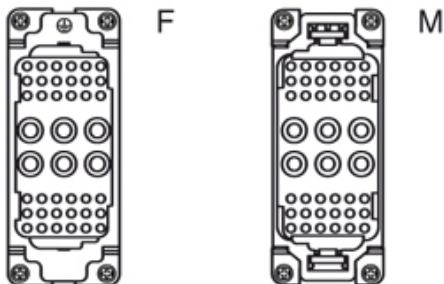
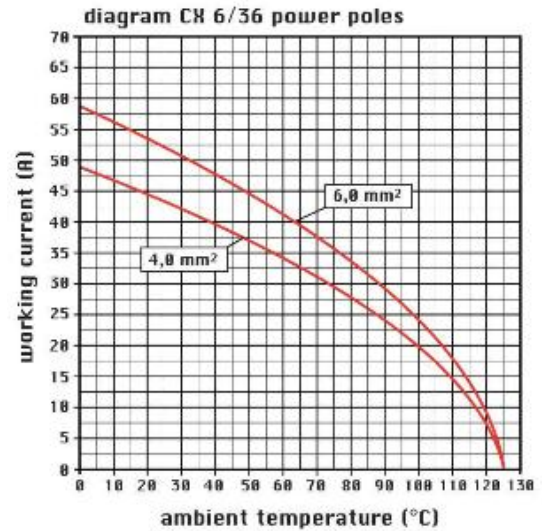
CXF 6/36



Catalogue drawings



Catalogue drawings



Notes

CXF/M 6/36 inserts

- characteristics according to EN 61984:

40A 690V 8kV 3

10A 160V 2,5kV 3

10A 250V 4kV 2

- rated voltage according to UL/CSA: 600V

- insulation resistance: > 10 GOhm

- ambient temperature limit: -40 °C ... +125 °C

- are made of self-extinguishing thermoplastic resin UL 94 V0

- mechanical life: > 500 cycles

- contact resistance: < 0,3 mOhm (6 poles) < 1 mOhm (36 poles)

- PCBs interface, see article CIF 2.4 (10A contacts)

- enclosures: size "77.27":

C-TYPE IP65/IP66

C7 IP67 stainless steel lever

V-TYPE IP65/IP66

stainless steel lever

T-TYPE IP65 insulating

JEI zinc-plated steel lever

BIG hoods

aggressive environments

EMC

central lever

IP68

- panel supports: COB