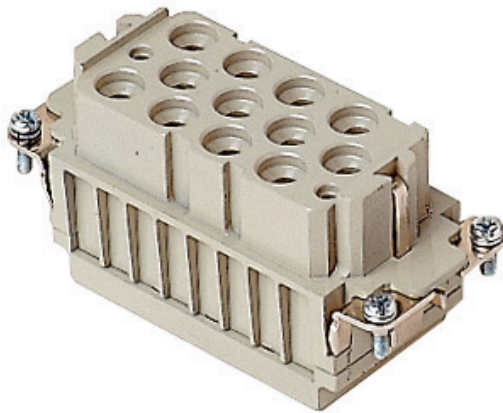



Part number
CXF 12/2



Brief description:

female insert, 12 poles + PE, crimp connections, 40A 690V, (2 poles (10A max - 250V/4kV/3)), 8kV, 3, for female contacts 40A and 10A, size "77.27", CLASS insert series

Product description

| | |
|------------------------|--|
| Model | female insert |
| Version | crimp connections |
| Series | CX |
| Product type | for female contacts 40A and 10A |
| Family | CLASS inserts |
| Size | size "77.27" |
| N. of poles | 12 poles +  |
| Auxiliary poles | 2 poles (10 A 250 V 4kV 2) |

Technical data

| | |
|---|--|
| Current | 40 A (A.C. and D.C.) |
| Voltage | 690 V |
| Rated impulse withstand voltage | 8 kV |
| Pollution degree | 3 |
| Operating temperature range (min, max) | -40°C ... +125°C |
| Mating cycles | ≥ 500 |
| IP degree of protection | IP20 without enclosure, IP65/IP66/IP68/IP69 with enclosure |

Further technical details

| | |
|--|-------------------------------------|
| Characteristics according to EN 61984 | 40A 690V 8kV 3 (aux:10A 250V 4kV 3) |
| Insulation resistance | ≥ 10 GΩ |
| Rated voltage according to UL/CSA | 600V |
| UL 94 flammability rating | V-0 |
| Weight | 81,00 g |

Approvals / Standards

| | |
|---------------------------|---|
| Reference standard | EN 61984:2009-06 |
| Quality mark |  , EAC |
| Conformity | CQC, CE |

General ordering information

| | |
|----------------------------|-----------------|
| EAN13 code | 8015747042260 |
| Tariff number | 85369095 |
| Country of origin | Made in EU (IT) |
| ETIM classification | EC000438 |

Packaging Information

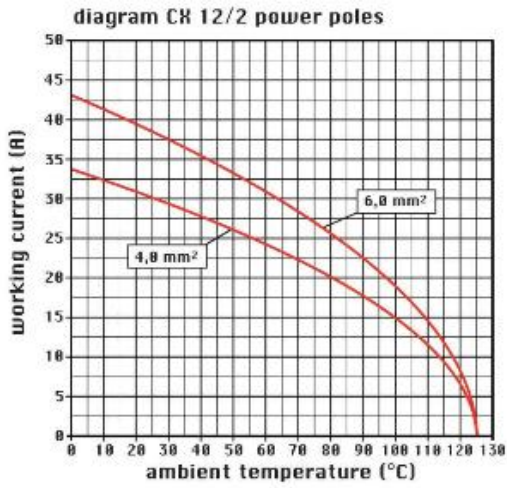
| | |
|----------------------------------|----------------------|
| Packaging length | 230,00 mm |
| Packaging height | 110,00 mm |
| Packaging width | 180,00 mm |
| Packaging weight | 1,96 kg |
| Packaging volume | 4,55 dm ³ |
| Packaging description | Carton box |
| Packaging quantity | 20 Pcs |
| Packaging EAN code | 8015747098557 |
| Sub-packaging length | 87,00 mm |
| Sub-packaging height | 36,00 mm |
| Sub-packaging width | 180,00 mm |
| Sub-packaging weight | 0,49 kg |
| Sub-packaging volume | 0,56 dm ³ |
| Sub-packaging description | Carton tray |
| Sub-packaging quantity | 5 Pcs |
| Sub-packaging EAN barcode | 8015747042277 |

Part number

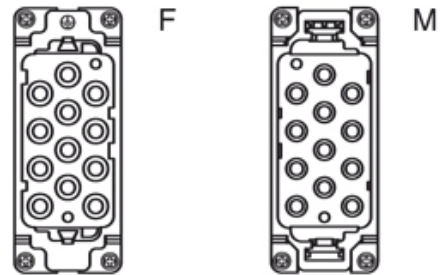
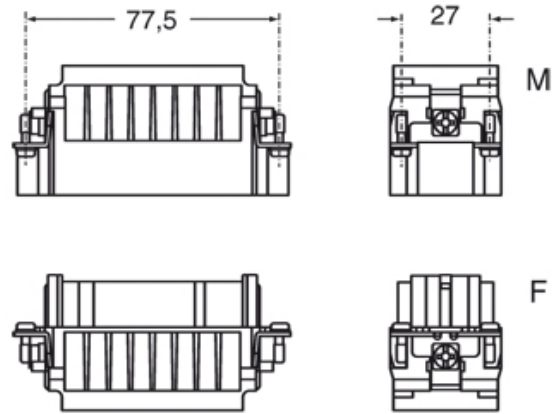
CXF 12/2



Catalogue drawings



Catalogue drawings



Notes

CX 12/2 inserts:

- characteristics according to EN 61984:
(40A 690V 8kV 3 600V)
- 2 Auxiliary contacts: (10A 250V 4kV 3)