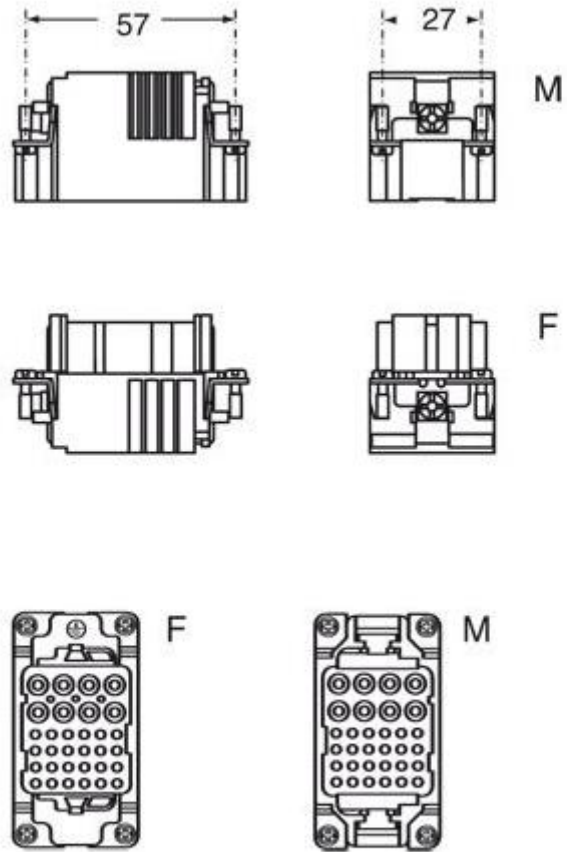


# CXF 8/24 - CXM 8/24



Dimensions in mm. Dimensions shown are not binding and may be changed without notice.