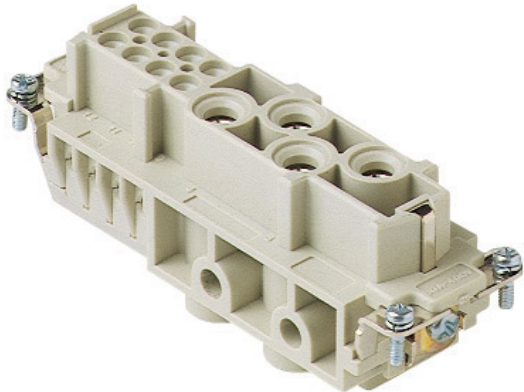


Part number
CXF 4/8



Brief description:

female insert, 4 poles + PE, screw terminal connections, 80A 400V, (8 poles (16A max - 230/400V/4kV/3)), 6kV, 3, silver plated, size "104.27", CLASS insert series

Product description		Approvals / Standards	
Model	female insert	Reference standard	EN 61984:2009-06
Version	screw terminal connections	Quality mark	DNV-GL, EAC
Series	CX	Conformity	CQC, CE
Product type	with female contacts	General ordering information	
Family	CLASS inserts	EAN13 code	8015747042352
Size	size "104.27"	Tariff number	85369095
N. of poles	4 poles +	Country of origin	Made in EU (IT)
Auxiliary poles	8 poles (16A max - 230/400V/4kV/3)	ETIM classification	EC000438
Technical data		Packaging Information	
Current	80 A (A.C. and D.C.)	Packaging length	245,00 mm
Voltage	400 V	Packaging height	165,00 mm
Rated impulse withstand voltage	6 kV	Packaging width	215,00 mm
Pollution degree	3	Packaging weight	4,89 kg
Wire cross-section	4,00 mm ² - 16,00 mm ²	Packaging volume	8,69 dm ³
AWG size	12 - 6	Packaging description	Carton box
Operating temperature range (min, max)	-40°C ... +125°C	Packaging quantity	30 Pcs
Contact type	silver plated	Packaging EAN code	8015747191852
Mating cycles	≥ 500	Sub-packaging length	113,00 mm
IP degree of protection	IP20 without enclosure, IP65/IP66/IP68/IP69 with enclosure	Sub-packaging height	36,00 mm
Further technical details		Sub-packaging width	180,00 mm
Characteristics according to EN 61984	80A 400V 6kV 3 (aux:16A 230/400V 4kV 3); 80A 400/690V 6kV 2 (aux:16A 400V 4kV 2)	Sub-packaging weight	0,82 kg
Insulation resistance	≥ 10 GΩ	Sub-packaging volume	0,73 dm ³
Rated voltage according to UL/CSA	600V	Sub-packaging description	Carton tray
UL 94 flammability rating	V-0	Sub-packaging quantity	5 Pcs
Weight	150,00 g	Sub-packaging EAN barcode	8015747042369

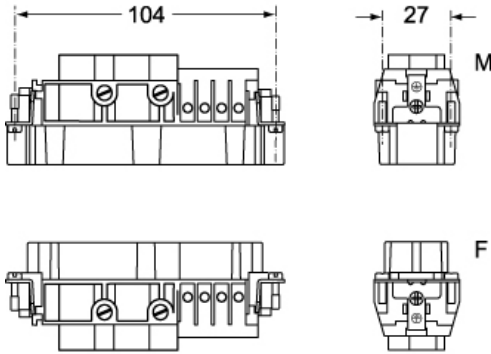
Part number

CXF 4/8

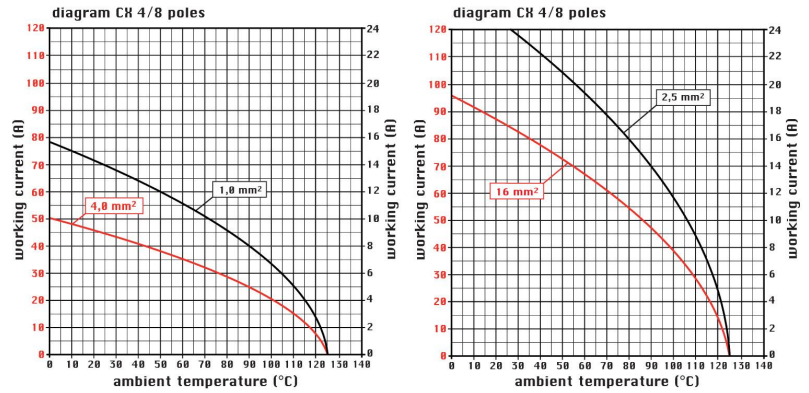


Catalogue drawings

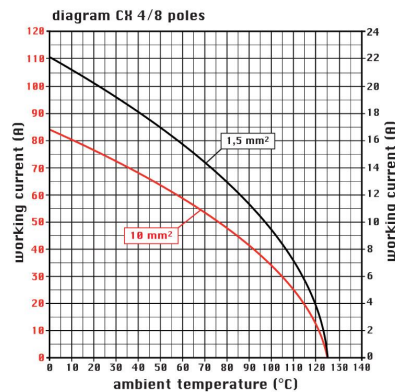
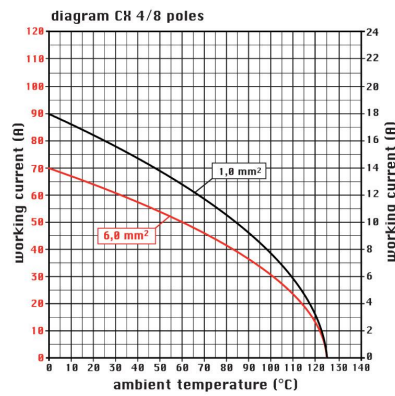
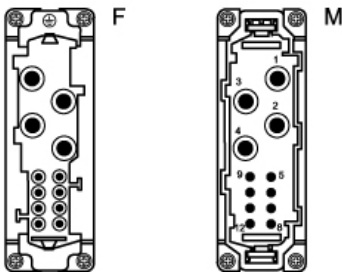
CXM 4/8



Catalogue drawings



CXF 4/8



Notes

CXF/M 4/8 inserts
 80A contacts
 - without plate for section conductors:

4 - 16 mm² - AWG 12 - 6
 - conductors stripping length: 14 mm
 - terminal screw torque: 2.5 Nm

16A contacts

- with plate for section conductors
 - 0,75 - 2,5 mm² - AWG 18 - 14
 - conductors stripping length: 7 mm
 - terminal screw torque: 0.5 Nm
 - characteristics according to EN 61984:
 - 80A 400V 6kV 3
 - 80A 400/690V 6kV 2
 - 16A 230/400V 4kV 3
 - 16A 400V 4kV 2
 - rated voltage according to UL/CSA: 600V
 - insulation resistance: > 10 GOhm
 - ambient temperature limit: -40 °C ... +125 °C
 - are made of self-extinguishing thermoplastic resin UL 94 V0
 - mechanical life: > 500 cycles
 - contact resistance: < 0,3 mOhm (4 poles) < 1 mOhm (8 poles)
 - inserts for applications with temperatures up to 180 °C, available on request
 - enclosures: size 104.27:
 - C-TYPE IP65/IP66
 - C7 IP67 stainless steel lever
 - V-TYPE IP65/IP66 stainless steel lever
 - T-TYPE IP65 insulating
 - JEI zinc-plated steel lever
 - BIG hoods
 - aggressive environments
 - EMC
 - central lever
 - IP68
 - panel supports: COB
-