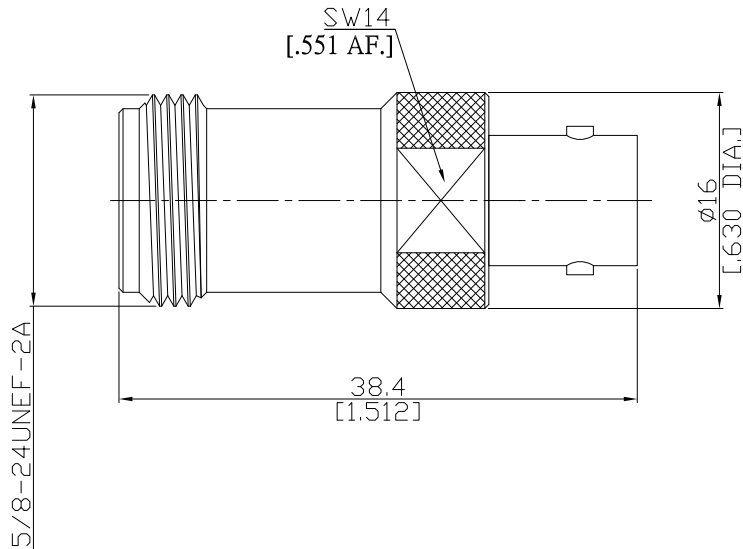


Technical Data Sheet

Adaptor jack/jack
N jack (female) / BNC jack (female)

AD-N2B25A/H4-H4



All dimensions are in mm [inch]
Tolerances according to DIN ISO 2768-mH

Interface

Electrical Data

Impedance	50 Ω
Frequency	DC to 4 GHz
VSWR (Return Loss)	≤ 1.15 (≥ 23.13 dB)
Insertion Loss	≤ 0.05 x √F [GHz] dB

Mechanical Data

Coupling mechanisms	N (Screw-lock) ; BNC (Bayonet-lock)
Weight	0.0318 kg

Environmental Data

Temperature range	-65°C to +165°C
RoHS	compliant

Material And Plating

Piece Parts (N)	Material	Plating
Centre contact	Phosphor Bronze	Gold plating(Nickel underplated)
Body	Brass	Copper-Tin-Zinc Alloy
Insulator	PTFE	

Piece Parts (BNC)	Material	Plating
Centre contact	Phosphor Bronze	Gold plating(Nickel underplated)
Body	Brass	Copper-Tin-Zinc Alloy
Insulator	PTFE	

Packing

Single or 100

The facts and figures herein are carefully compiled to the best of our knowledge, but they are intended for general informational purposes only. In the effort to improve our products, we reserve the right to make changes judged to be necessary.

Rev.:
Date:
19/11/10

Page
1/1