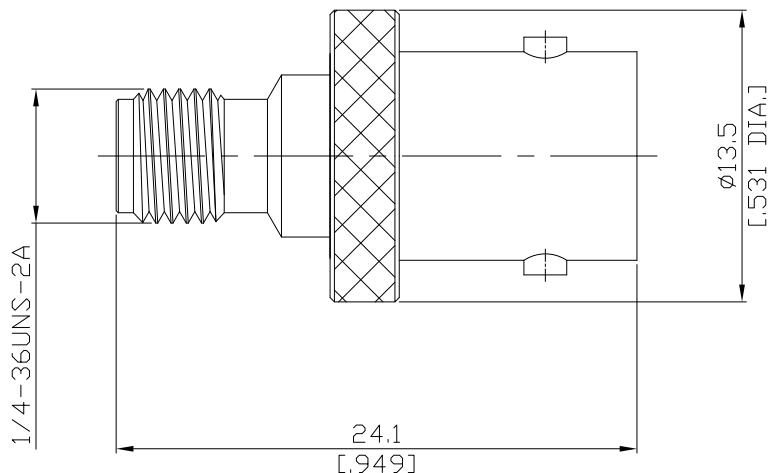


Technical Data Sheet

Adaptor jack/jack
SMA jack (female) / BNC jack (female)

AD-A2B25A/H4-H4



All dimensions are in mm [inch]

Tolerances according to DIN ISO 2768-mH

Interface

According to

SMA Side: MIL-C-39012;MIL-STD-348A/310

BNC Side: MIL-C-39012;MIL-STD-348A/301

Electrical Data

Impedance

50 Ω

Frequency

DC to 4 GHz

VSWR (Return Loss)

≤ 1.15 (≥ 23.13 dB)

Insertion Loss

≤ 0.05 x √F (GHz) dB

Mechanical Data

Coupling mechanisms

SMA (Screw-lock) ; BNC (Bayonet-lock)

Weight

0.0064 kg

Environmental Data

Temperature range

-65°C to +165°C

RoHS

compliant

Material And Plating

Piece Parts (SMA)

Piece Parts (SMA)	Material	Plating
Centre contact	Phosphor Bronze	Gold plating(Nickel underplated)
Body	Brass	Copper-Tin-Zinc Alloy
Insulator	PTFE	

Piece Parts (BNC)

Piece Parts (BNC)	Material	Plating
Centre contact	Phosphor Bronze	Gold plating(Nickel underplated)
Body	Brass	Copper-Tin-Zinc Alloy
Insulator	PTFE	

Packing

Single or 100

The facts and figures herein are carefully compiled to the best of our knowledge, but they are intended for general informational purposes only. In the effort to improve our products, we reserve the right to make changes judged to be necessary.

Rev.:-

Date:
19/11/10

Page

1/1