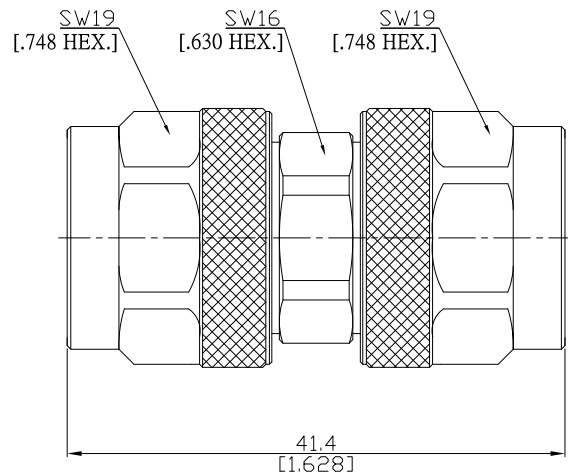


# Technical Data Sheet

Adaptor plug/plug  
N plug (male) / N plug (male)

AD-N1N15A/144-144



All dimensions are in mm [inch]  
Tolerances according to DIN ISO 2768-mH

## Interface

According to MIL-C-39012; MIL-STD-348A/304

## Electrical Data

Impedance 50 Ω  
Frequency DC to 11 GHz  
VSWR (Return Loss) ≤ 1.15 (≥ 23.12 dB)  
Insertion Loss ≤ 0.05 × √F (GHz) dB

## Mechanical Data

Coupling mechanisms Screw-lock  
Weight 0.0569 kg

## Environmental Data

Temperature range -65°C to +165°C  
RoHS compliant

## Material And Plating

Piece Parts (N)	Material	Plating
Centre contact	Brass	Gold plating(Nickel underplated)
Body	Brass	Copper-Tin-Zinc Alloy
Insulator	PTFE	
Gasket	Silicone Rubber	
Coupling nut	Brass	Copper-Tin-Zinc Alloy

Piece Parts (N)	Material	Plating
Centre contact	Brass	Gold plating(Nickel underplated)
Body	Brass	Copper-Tin-Zinc Alloy
Insulator	PTFE	
Gasket	Silicone Rubber	
Coupling nut	Brass	Copper-Tin-Zinc Alloy

## Packing

Single or 100