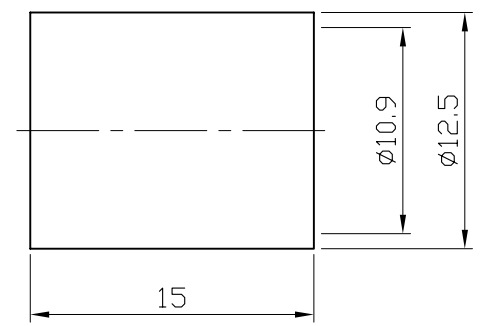
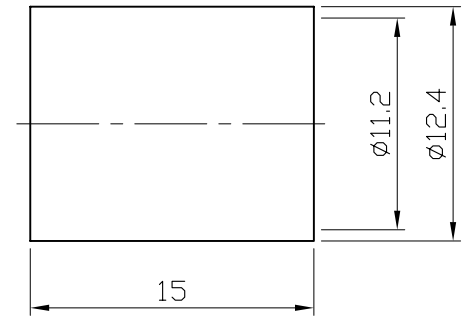
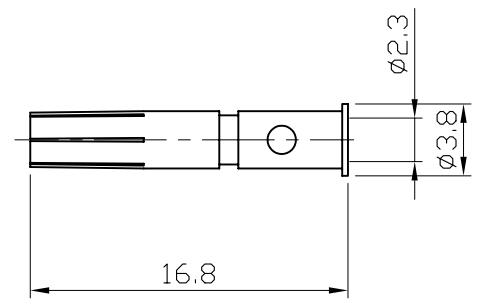
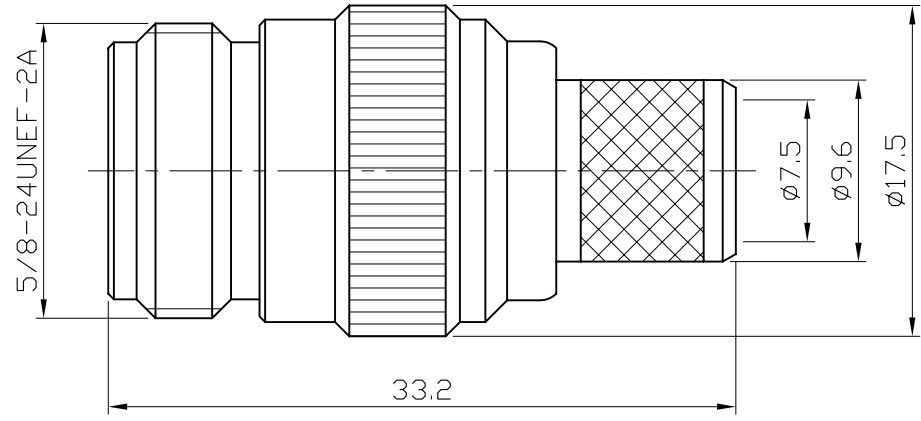


REVISION			
REV.	DESCRIPTON	DATE	APPROVED
-	INITIAL RELEASE	2009/09/11	
A	零件6尺寸變更	2009/10/14	
B	零件4料號變更	2011/11/29	



NOTES: FINISH (PLATING THICKNESS IN MICRO-INCHES)

1. BRASS.
2. P.BRONZE.
3. TIN-ZINC-COPPER-ALLOY PL. 100 MIN.  
OVER COPPER PL. 50 MIN.
4. GOLD PL. 5 MIN. OVER NICKEL PL. 50 MIN.  
OVER COPPER PL. 50 MIN.

DIMENSION ARE MILLIMETERS						SCALE	REV	UNIT	TITLE	
6	FERRULE	NOTE 1	NOTE 3	1	N3100-0213-8/W	2.5 / 1	B	MM	N JACK CRIMP	
5	FERRULE	NOTE 1	NOTE 3	1	N3100-0214-8/W				DATE	
4	CONTACT PIN	NOTE 2	NOTE 4	1	N8100-213-214-4/5G	APPROVED		DRAWING NO.		
3	BARREL	NOTE 1	NOTE 3	1	BNC3100-0213-4/W	CHECKED		N8100-0213/214		
2	INSULATOR	TEFLON		1	N8200B-0214-2	DRAWING		DATE		
1	BODY	NOTE 1	NOTE 3	1	N8100-0213-1/W	UNLESS OTHERWISE SPECIFIED TOLERANCES		DATE		
NO.	DESCRIPTION	MATERIAL	FINISH	Q'TY	PART NO.	0.5~ 5 = ±0.05				
						5 ~ 10 = ±0.07				
						10~20 = ±0.10				
						20~30 = ±0.15				
						30~ = ±0.20				

# CABLE ASSEMBLY INSTRUCTION

N8100-0213/214	DATE	2014/04/29	REV	—
----------------	------	------------	-----	---

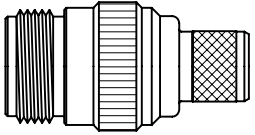
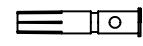
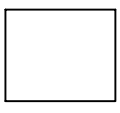
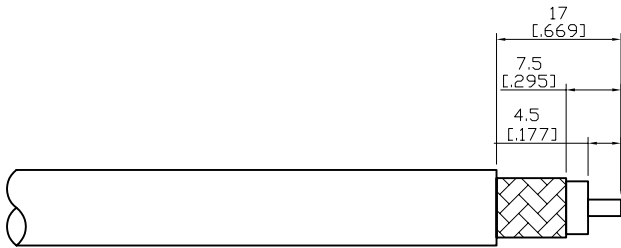
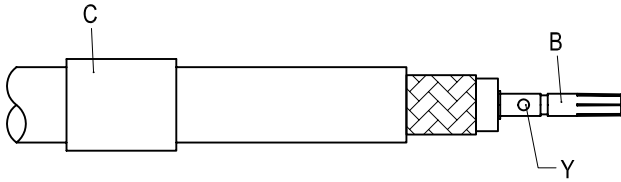
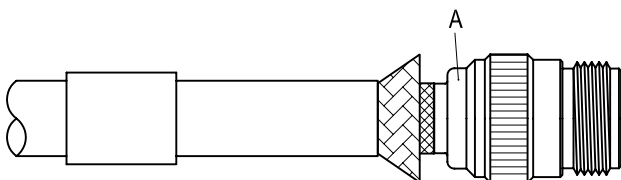
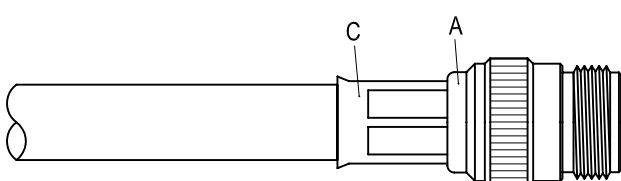
<p>A</p>  <p style="text-align: center;">BODY</p>	<p>B</p>  <p style="text-align: center;">CONTACT PIN</p>	<p>C</p>  <p style="text-align: center;">FERRULE</p>
--	---	---

DIAGRAM	ASSEMBLY INSTRUCTION
---------	----------------------

	<p>Step 1: STRIP AS SHOWN.</p>
--	--------------------------------

	<p>Step 2: SLIDE FERRULE " C " OVER CABLE.          Step 3: PUT PIN " B " ON CENTER CONDUCTOR AND CRIMP IN " Y ".          (USE SQUARE 2.4mm/0.094inch SECTION OF INSERT-C IF CRIMPED)</p>
---	--

	<p>Step 4: LOOSEN BRAIDING AND SLIDE CONNECTOR " A " IN PLACE.</p>
---	--

	<p>Step 5: SLIDE FERRULE " C " TOWARDS THE CONNECTOR " A " AND CRIMP.          (USE 10.7mm/0.421inch HEX SECTION OF INSERT-C)</p>
---	---

This part number complies with RoHS.

APPROVED	CHECKED	DRAWING
----------	---------	---------

*Albert*