

Duplex Patchcord Specifications

Specifications Duplex Patchcord Specifications

Parameters		Specifications		Units	Notes
Fiber Count		2			1. Comply with RoHS requirement 2. Endface comply with IEC 61300-3-35
Fiber Type		OS2/OM1/OM2/OM3/OM4/OM5			
Insertion Loss		≤0.3		dB	
Test Wavelength		Multimode	850	nm	
		Single Mode	1310 & 1550		
Return Loss		Multimode	≥25	dB	
		Single Mode	≥50 (UPC) & ≥60 (APC)		
Jacket	OD	2.0 or 3.0 (±0.2)		mm	
	Material	LSZH/PVC/OFNR/OFNP			
	Color	Multimode	Orange (OM1&OM2)		
		Multimode	AQUA (OM3&OM4&OM5)		
Single Mode		Yellow (OS2)			
Strength Member		Aramid yarn			
Connector	Type	LC/SC/FC/ST/MU/E2000			
	Color	See Page 2 Connector color			
Polarity		Conforms to ANSI/TIA-568.3-D A to B, B to A			
Packaging		ORC Neutral packing			
Operating Temperature		-10 ~ +60		°C	
Installation Temperature		-20 ~ +60		°C	
Storage Temperature		-25 ~ +70		°C	

Notes:

- 1) Multimode Cable attenuation 3.0dB/km@850nm and 1.0dB/km@1300nm;
- 2) Single-mode Cable attenuation 0.4dB/km@1310nm and 0.3dB/km@1550nm;
- 3) Singlemode Test @1310nm&1550nm, Laser Optimized Multimode Test @850nm;
- 4) OS2 fiber(9/125um): G.652D, G.657A1,G.657A2, G.657B2,G.657B3; OM1 fiber (62.5/125um), OM2/OM3/ OM 4/OM5 fiber (50/125um);
- 5) Test Method is IEC 61300-3-4 METHOD B;
- 6) For other requirements, please consult the relevant staff.

4 Connector Color

Connector type	Housing Color	Boot Color	Cap Color	A,B,Clip color	Heat shrinkable tube	Remark	
LC	MM(UPC)	Beige	White	White	Beige	Yellow / White (2.0mm Conn.)	apply to 2.0/3.0mm Conn.
	SM(UPC)	Blue	White	White	Blue	Yellow / White (2.0mm Conn.)	apply to 2.0/3.0mm Conn.
	SM(APC)	Green	Green	Green	Green	Yellow / White (2.0mm Conn.)	apply to 2.0/3.0mm Conn.
SC	MM(UPC)	Beige	Beige	Transparent	Beige	NA	apply to 2.0/3.0mm Conn.
	SM(UPC)	Blue	Blue	Transparent	Blue	NA	apply to 2.0/3.0mm Conn.
	SM(APC)	Green	Green	Green	Green	NA	apply to 2.0/3.0mm Conn.
FC	MM(UPC)	Metal	Black	Transparent	NA	NA	apply to 2.0/3.0mm Conn.
	SM(UPC)	Metal	Black	Transparent	NA	NA	apply to 2.0/3.0mm Conn.
	SM(APC)	Metal	Green	Green	NA	NA	apply to 2.0/3.0mm Conn.
ST	MM(UPC)	Metal	Black	Transparent	NA	NA	apply to 2.0/3.0mm Conn.
	SM(UPC)	Metal	Black	Transparent	NA	NA	apply to 2.0/3.0mm Conn.
MU	MM(UPC)	Brown	Blue	Transparent	NA	NA	apply to 2.0mm Conn.
	SM(UPC)	Brown	Blue	Transparent	NA	NA	apply to 2.0mm Conn.
	SM(APC)	Green	Green	Green	NA	NA	apply to 2.0mm Conn.
E2000	MM(UPC)	Beige	Beige	Beige	NA	NA	apply to 2.0/3.0mm Conn.
	SM(UPC)	Blue	Blue	Blue	NA	NA	apply to 2.0/3.0mm Conn.
	SM(APC)	Green	Green	Green	NA	NA	apply to 2.0/3.0mm Conn.

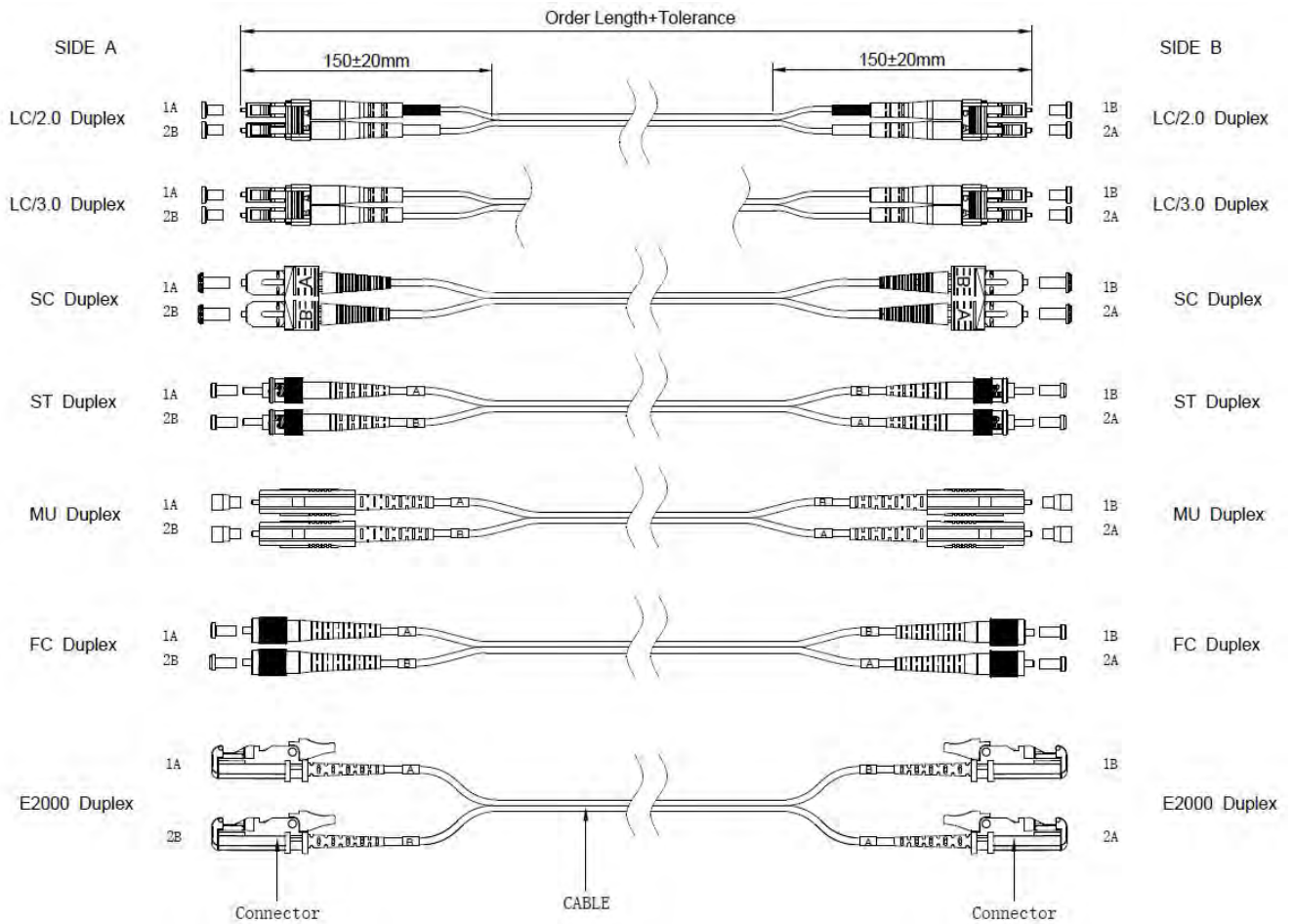
Notes:

- 7) Above is the ORC standard, if you have any other requirements, please order remarks (such as color, length, Connector brand);
- 8) Connector conforms to IEC 61754 and YD/T 1272 standard;
- 9) MM: Multimode, SM: Single Mode.

5 3D Geometric Parameters

Ferrule type		measured parameters	(Min)	(Max)	(Remark)
1.25mm/2.5mm	PC/UPC	ROC	7.00mm	25.00mm	apply to 1.25mm
			10.00mm	25.00mm	apply to 2.5mm
	Fiber Height	-100nm	+100nm		
	Aplex Offset	0.00um	+50nm		
1.25mm/2.5mm	APC	ROC	5.00mm	12.00mm	
		Fiber Height	-100nm	+100nm	
		Aplex Offset	0.00um	+50nm	
		Angle	7.70deg	8.30deg	
		Key error	-0.30deg	+0.30deg	

6 Product diagram



Notes:

10) Connector figure in the drawing is for reference only, please refer to the actual object; 3.0mm LC Connector without heat shrink tube (can be matched with different products, Such as: LC-LC/SC-SC/FC-FC/ST-ST/MU-MU/E2000-E2000/LC-SC/LC-FC/LC-ST/SC-FC/SC-ST/FC-ST.....).

Order Length	Tolerance
$L \leq 1M$	+50mm/-0
$1 < L \leq 20M$	+200mm/-0
$L > 20M$	+1%*L/-0

-----End-----

