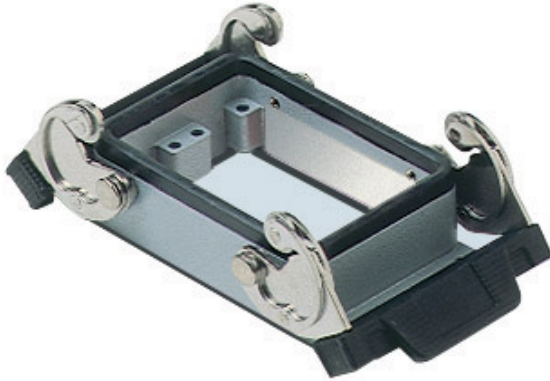


Part number

CHI 50



Bulkhead mounting housing, C-TYPE series,
with 2 levers, size "66.40"



Product description

Product type	Bulkhead mounting housing
Series	C-TYPE
Closing type	with 2 levers
Size	size "66.40"

Technical data

IP degree of protection	IP66
--------------------------------	------

Further technical details

Weight	190,00 g
Operating temperature range (min, max)	-40 °C...+125 °C

Approvals / Standards

Certifications	DNV-GL, BV
-----------------------	------------

General ordering information

EAN13 code	8015747018739
-------------------	---------------

Packaging Information

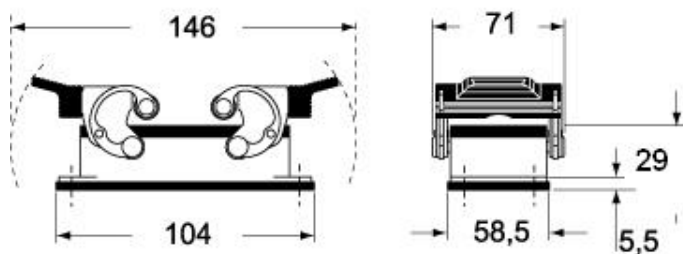
Packaging length	160,00 mm
Packaging height	130,00 mm
Packaging width	270,00 mm
Packaging weight	2,09 kg
Packaging volume	5,62 dm ³
Packaging description	Carton box
Packaging quantity	10 Pcs
Packaging EAN code	8015747018746

Part number
CHI 50

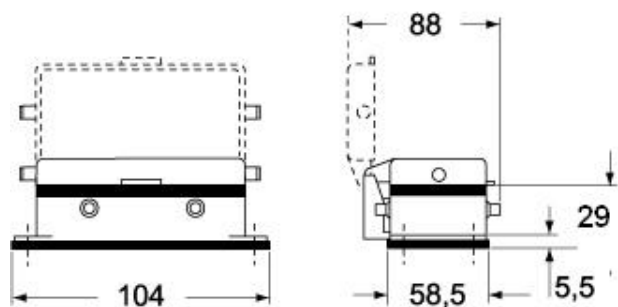


Catalogue drawings

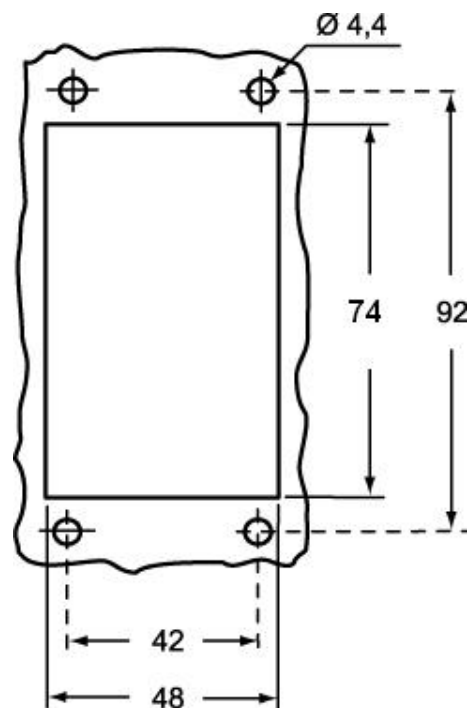
CHI



CHI CS



Catalogue drawings



Notes

Dimensions shown in mm are not binding and may be changed without notice.