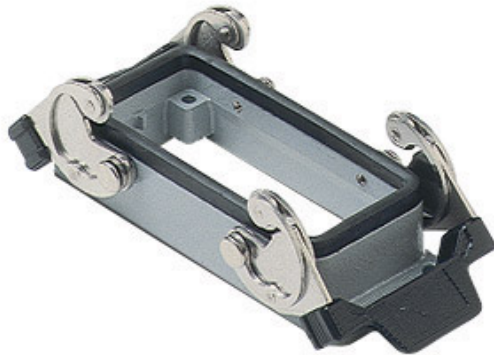


Part number

CHI 16



Bulkhead mounting housing, C-TYPE series,
with 2 levers, size "77.27"

Product description

Product type	Bulkhead mounting housing
Series	C-TYPE
Closing type	with 2 levers
Size	size "77.27"

Technical data

IP degree of protection	IP66 (and IP69 DIN 40050 - 9)
--------------------------------	-------------------------------

Further technical details

Weight	166,00 g
Operating temperature range (min, max)	-40 °C...+125 °C

Approvals / Standards

Certifications	DNV-GL, BV
-----------------------	------------

General ordering information

EAN13 code	8015747017688
-------------------	---------------

Packaging Information

Packaging length	380,00 mm
Packaging height	230,00 mm
Packaging width	340,00 mm
Packaging weight	7,40 kg
Packaging volume	29,72 dm ³
Packaging description	Carton box
Packaging quantity	40 Pcs
Packaging EAN code	8015747017695
Sub-packaging weight	0,93 kg
Sub-packaging description	Plastic packaging
Sub-packaging quantity	5 Pcs
Sub-packaging EAN barcode	8015747017701

Part number

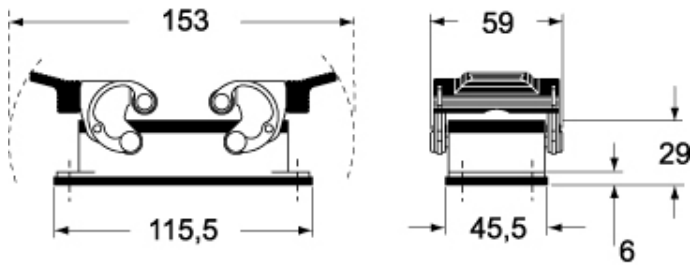
CHI 16



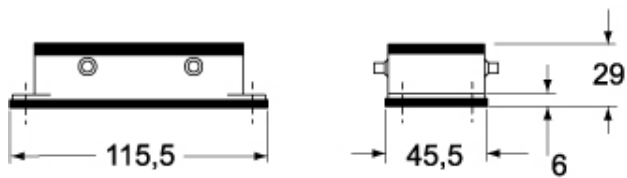
Catalogue drawings

Catalogue drawings

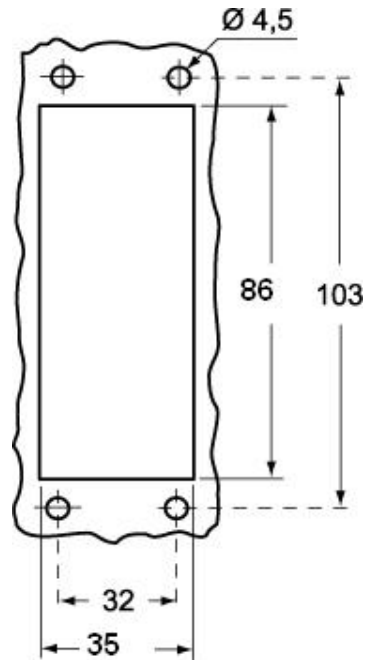
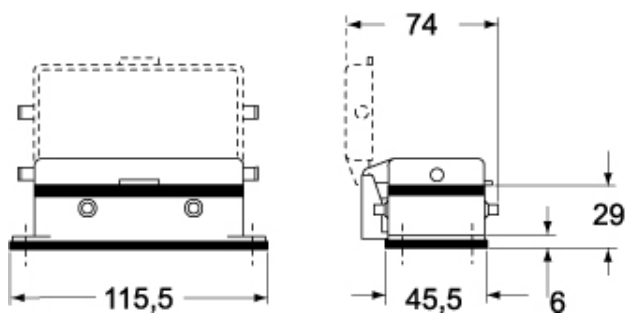
CHI



CHI C



CHI CS/CP



Notes

Dimensions shown in mm are not binding and may be changed without notice.