

Part number

# MAP 06 L32



Surface mounting housing, C-TYPE series, with 1 lever, M32 cable entry, size "44.27", high construction

## Product description

<b>Product type</b>	surface mounting housing
<b>Series</b>	C-TYPE
<b>Closing type</b>	with 1 lever
<b>Size</b>	size "44.27"
<b>Cable entry</b>	M32
<b>Specification</b>	high construction

## Technical data

<b>IP degree of protection</b>	IP66 (and IP69 DIN 40050 - 9)
--------------------------------	-------------------------------

## Further technical details

<b>Weight</b>	287,00 g
<b>Operating temperature range (min, max)</b>	-40 °C...+125 °C

## Approvals / Standards

<b>Certifications</b>	DNV-GL, BV
-----------------------	------------

## General ordering information

<b>EAN13 code</b>	8015747050920
-------------------	---------------

## Packaging Information

<b>Packaging length</b>	475,00 mm
<b>Packaging height</b>	210,00 mm
<b>Packaging width</b>	140,00 mm
<b>Packaging weight</b>	3,26 kg
<b>Packaging volume</b>	13,97 dm <sup>3</sup>
<b>Packaging description</b>	Carton box
<b>Packaging quantity</b>	10 Pcs
<b>Packaging EAN code</b>	8015747239301
<b>Sub-packaging weight</b>	1,63 kg
<b>Sub-packaging description</b>	Plastic packaging
<b>Sub-packaging quantity</b>	5 Pcs
<b>Sub-packaging EAN barcode</b>	8015747050937

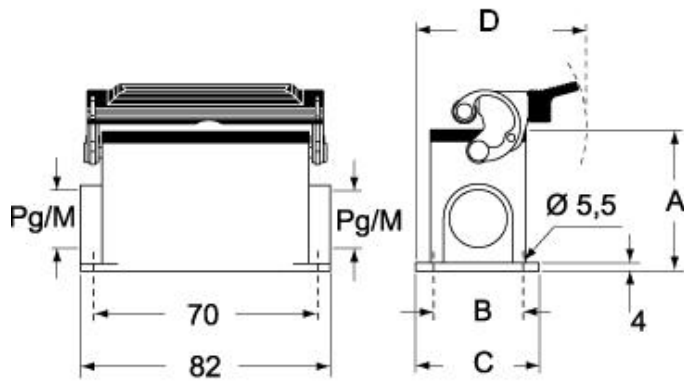
Part number

# MAP 06 L32

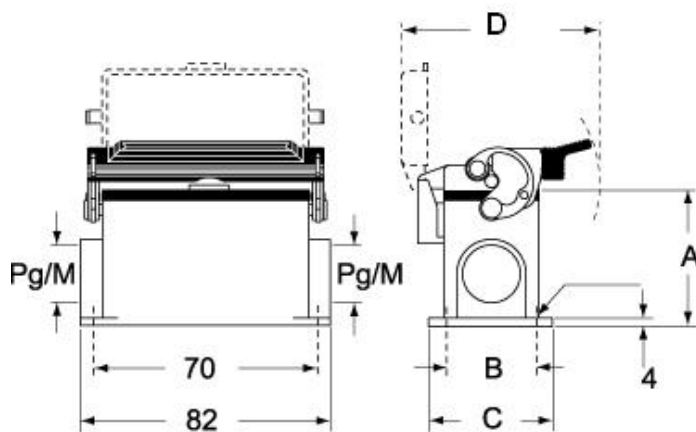


Catalogue drawings

## CHP L CAP L - MHP L MAP L



## CHP LS CAP LS - MHP LS MAP LS



## Notes

Dimensions shown in mm are not binding and may be changed without notice.