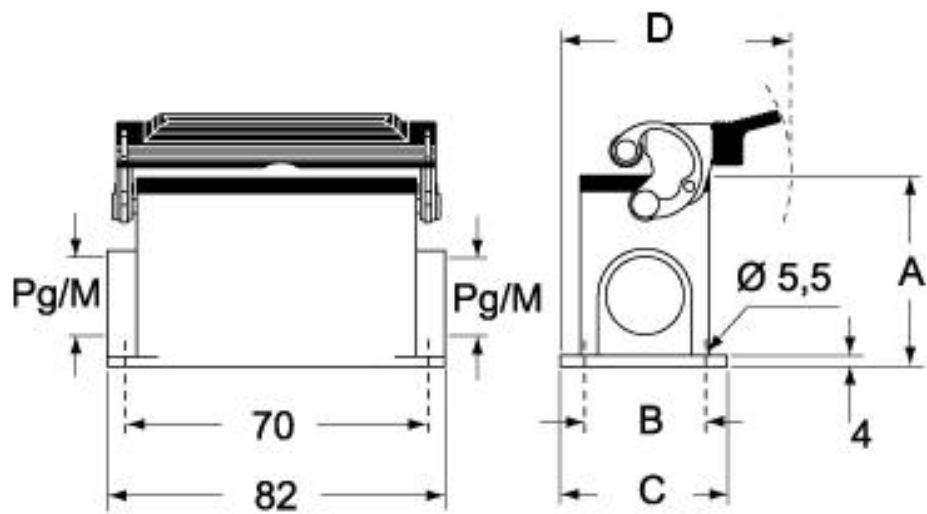


CHP L CAP L - MHP L MAP L



| Type | A | B | C | D |
|---------------|----|----|----|------|
| CHP L / MHP L | 53 | 40 | 52 | 73,5 |
| CAP L / MAP L | 74 | 45 | 57 | 82 |

Dimensions in mm. Dimensions shown are not binding and may be changed without notice.