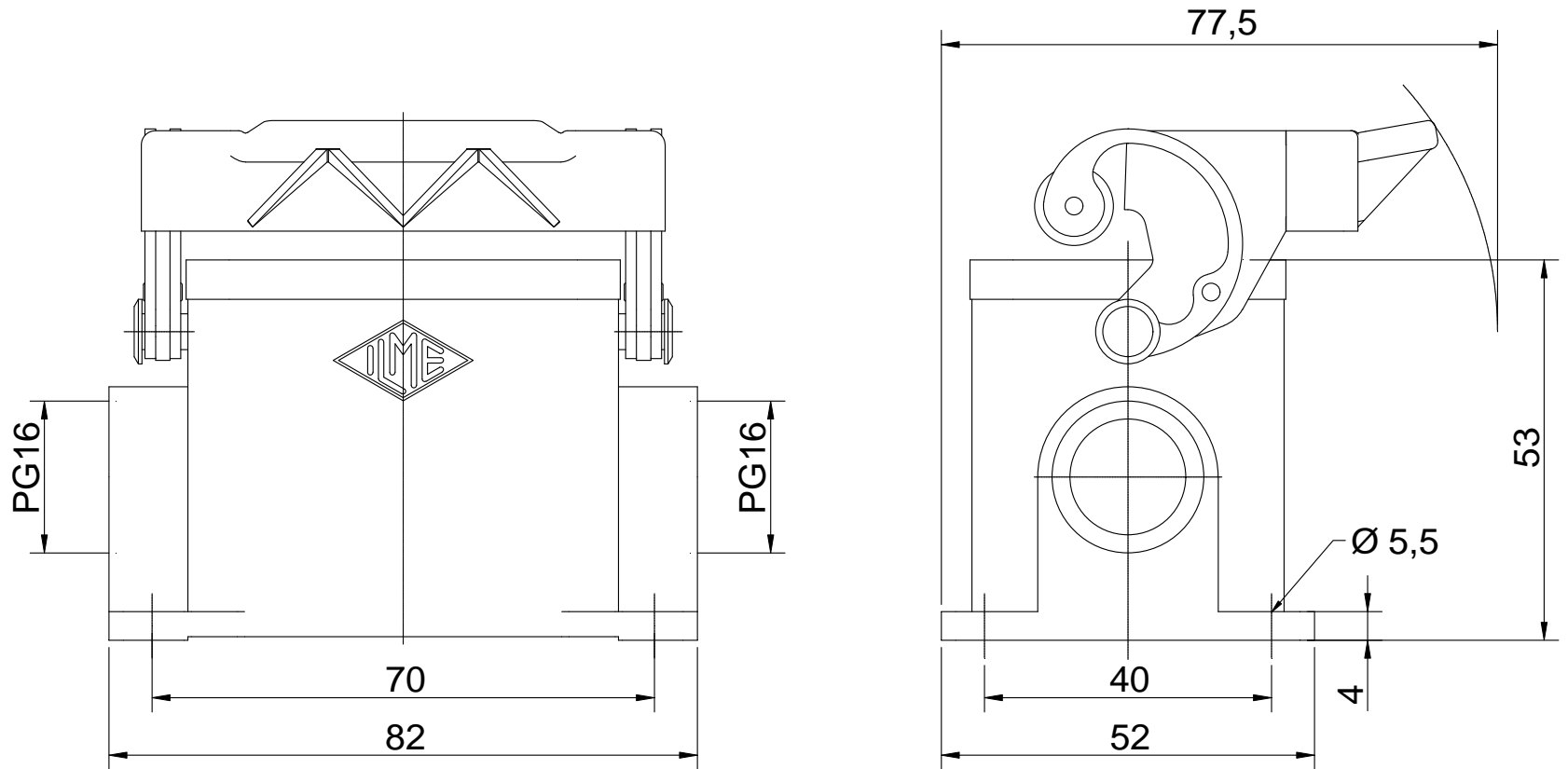



Diritti riservati All rights reserved



Date 10.01.2007	CHP 06 L2	Scale	
Sign.	surface mounting housing 1l 2xPG16	1:1	