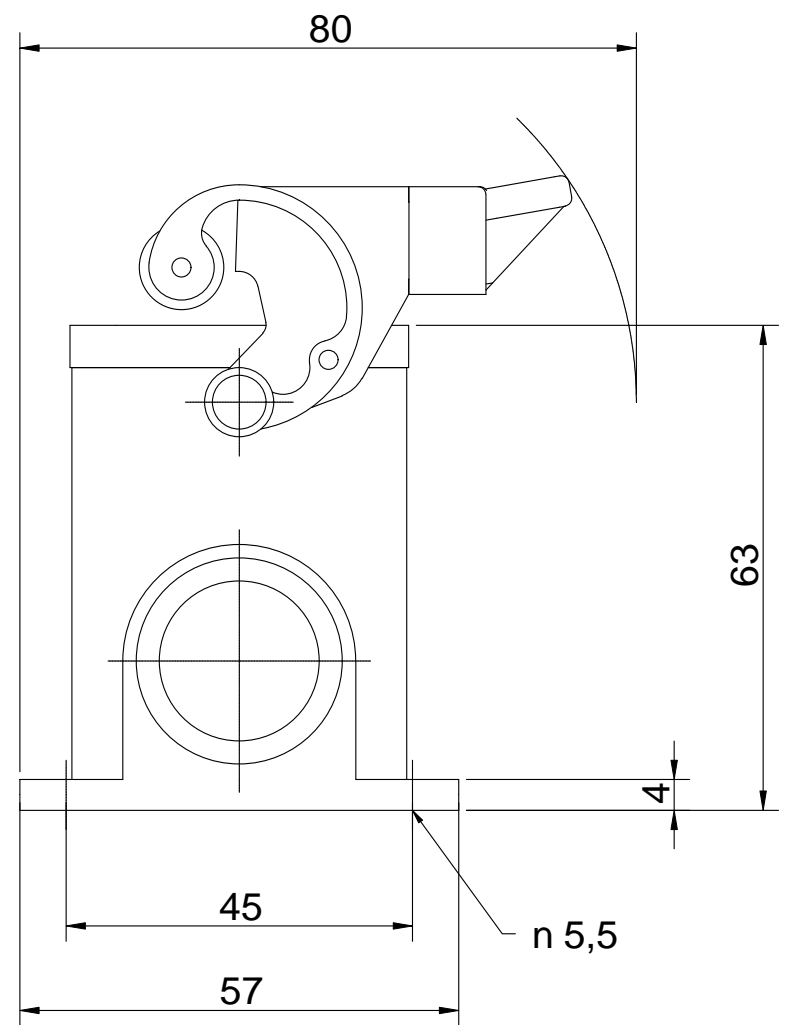
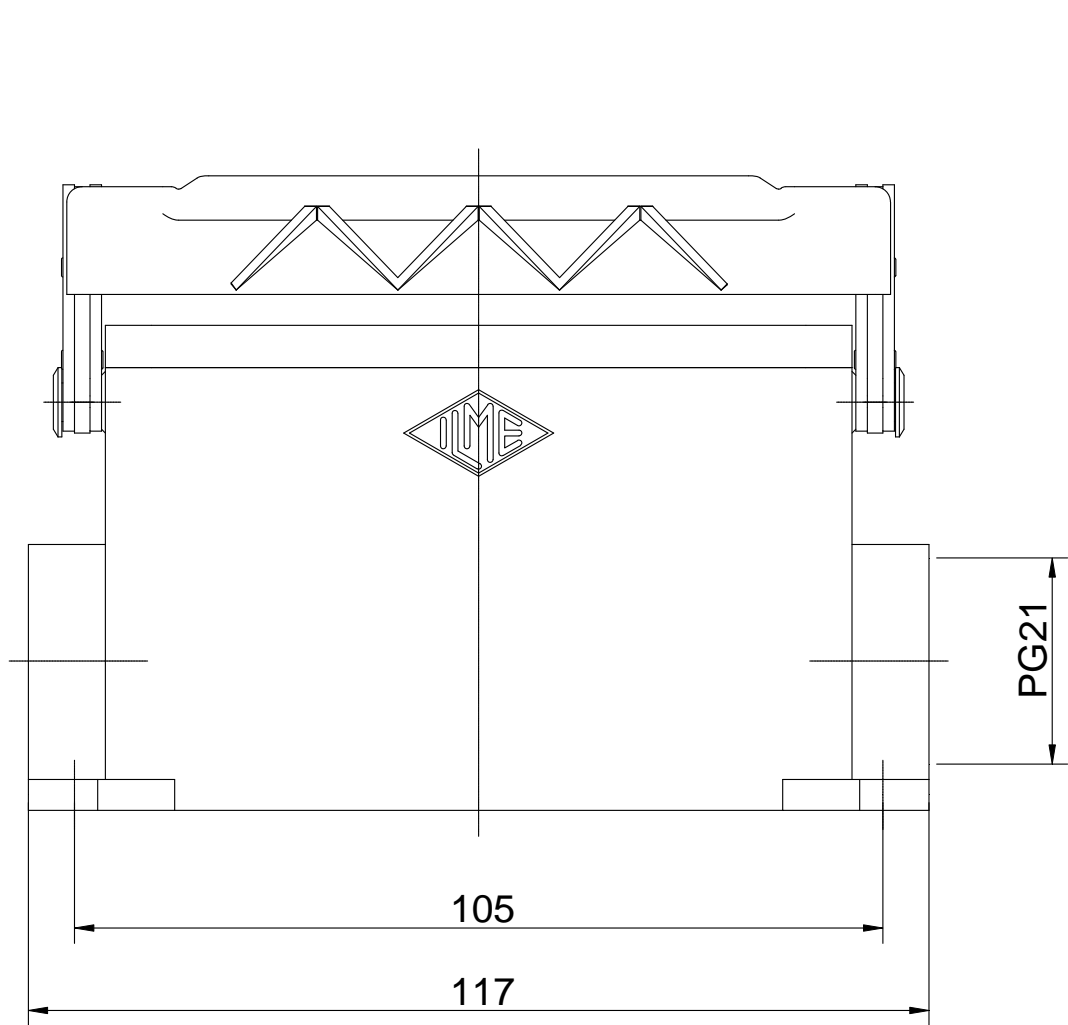


Diritti riservati All rights reserved



Date 10.01.2007	CHP 16 L2		Scale
Sign.	surface mounting h. 1 lev. PG21		1:1
			