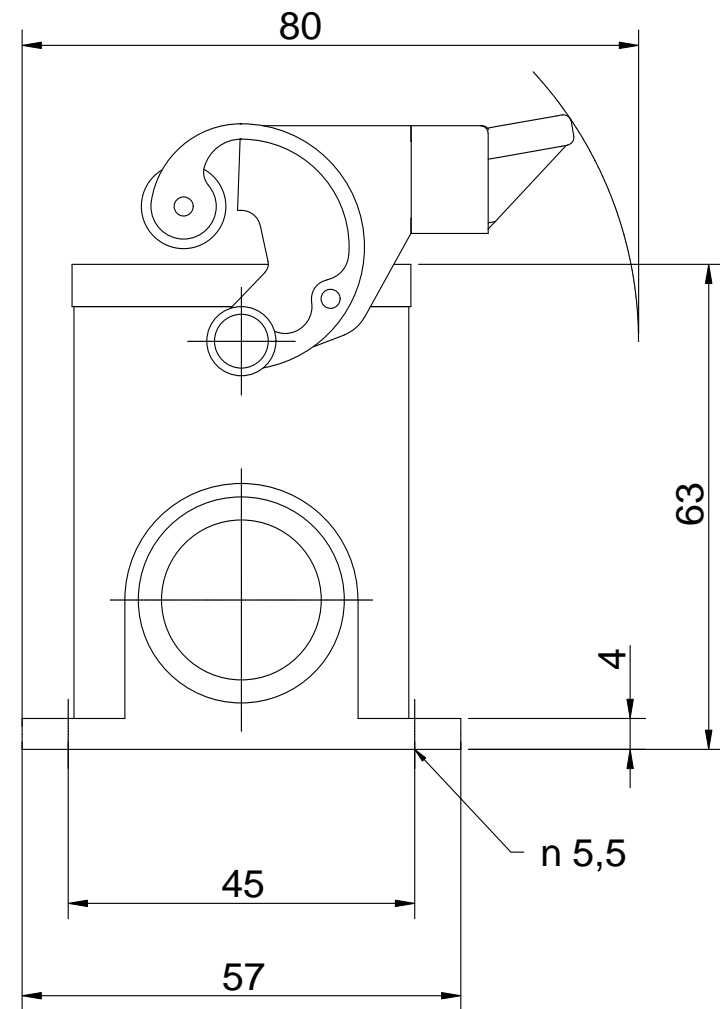
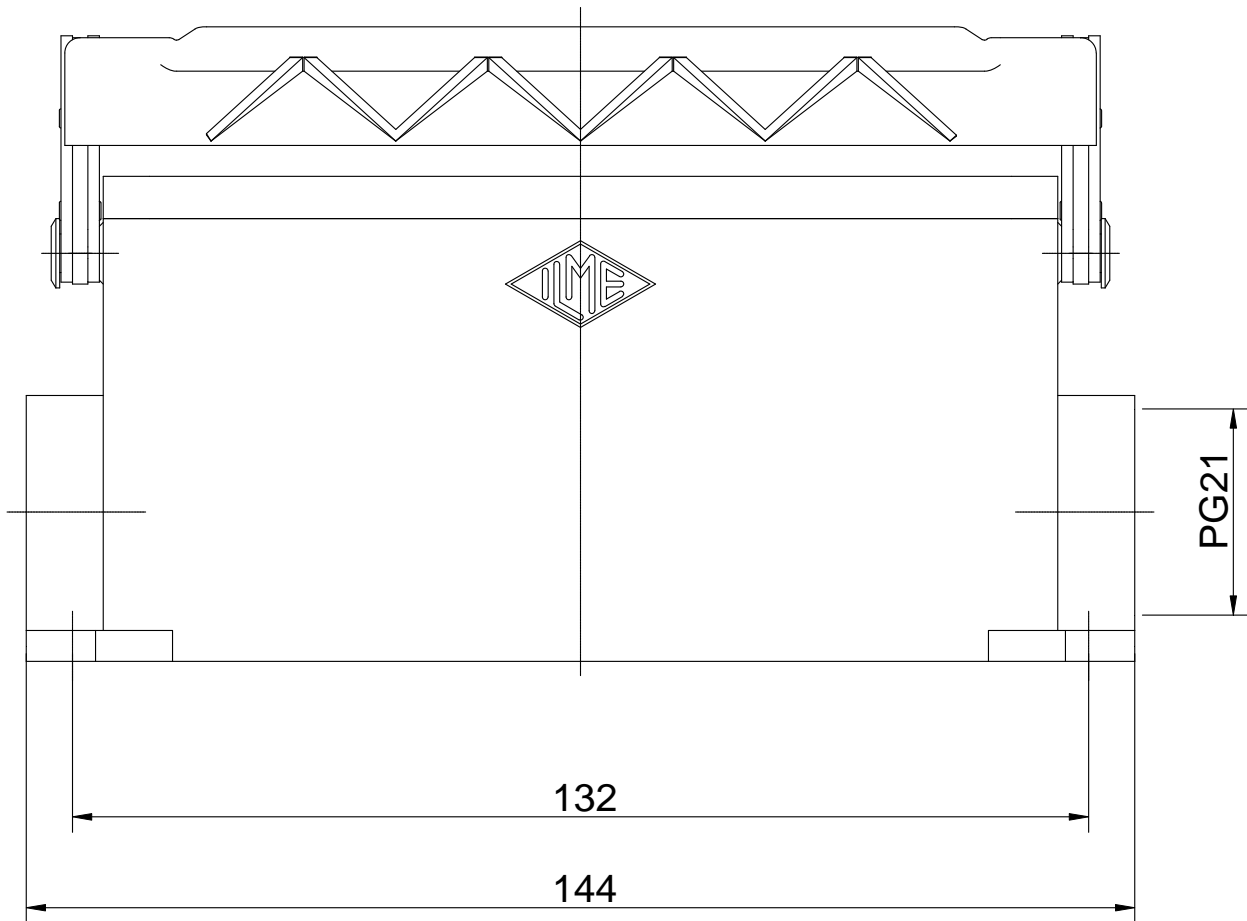


Diritti riservati All rights reserved



Date 10.01.2007	CHP 24 L	Scale	
Sign.	surface mounting h. 1 lev. PG21	1:1	