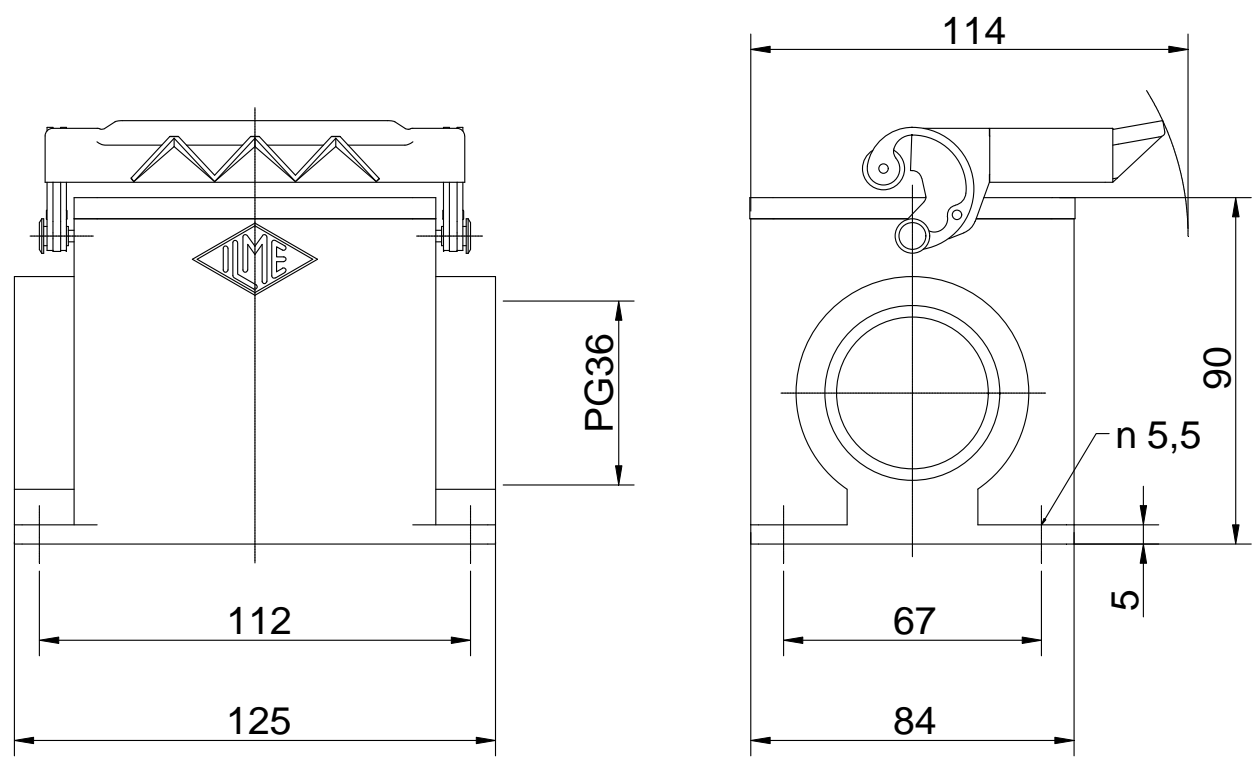



Diritti riservati | All rights reserved



Date 04.01.2007	CHP 32 L	Scale	
Sign.	surface mounting h. 1 lev. PG36	1:2	