

Part number

MFV 24 LG40



Hood, C-TYPE series, with 1 lever, M40 top cable entry without adapter, size "104.27", high construction

Product description

Product type	Hood
Series	C-TYPE
Closing type	with 1 lever
Size	size "104.27"
Cable entry	top cable entry without adapter M40
Specification	high construction

Technical data

IP degree of protection	IP65 without O-Ring gasket, IP66/IP67 with O-Ring gasket
--------------------------------	--

Further technical details

Weight	321,00 g
Operating temperature range (min, max)	-40 °C...+125 °C

Approvals / Standards

Certifications	DNV-GL, BV
-----------------------	------------

General ordering information

EAN13 code	8015747034746
-------------------	---------------

Packaging Information

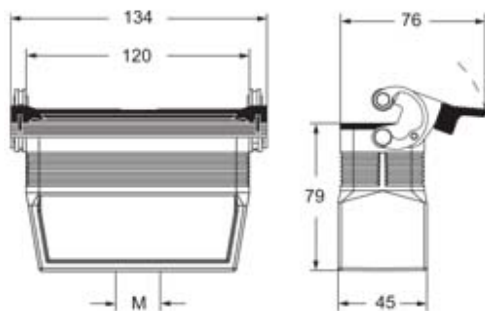
Sub-packaging weight	1,61 kg
Sub-packaging description	Plastic packaging
Sub-packaging quantity	5 Pcs
Sub-packaging EAN barcode	8015747034753

Part number

MFV 24 LG40



Catalogue drawings



Notes

Dimensions shown in mm are not binding and may be changed without notice.
