

Part number

MFO 06 L40



Hood, C-TYPE series, with 2 pegs, M40 side cable entry without adapter, size "44.27", high construction

Product description

Product type	hood
Series	C-TYPE
Closing type	with 2 pegs
Size	size "44.27"
Cable entry	side cable entry without adapter M40
Specification	high construction

Technical data

IP degree of protection	IP65 without O-Ring gasket, IP66/IP67 with O-Ring gasket
--------------------------------	----------------------------------------------------------

Further technical details

Weight	144,00 g
Operating temperature range (min, max)	-40 °C...+125 °C

Approvals / Standards

Certifications	DNV-GL, BV
-----------------------	------------

General ordering information

EAN13 code	8015747233330
-------------------	---------------

Packaging Information

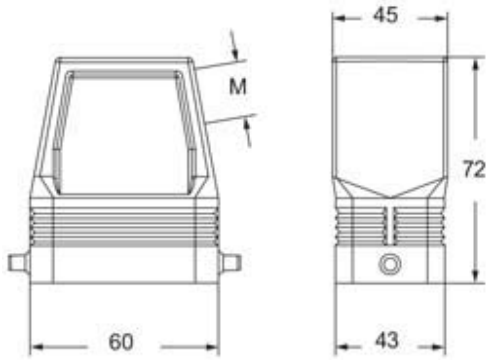
Packaging length	140,00 mm
Packaging height	120,00 mm
Packaging width	260,00 mm
Packaging weight	1,44 kg
Packaging volume	4,37 dm ³
Packaging description	Carton box
Packaging quantity	10 Pcs
Packaging EAN code	8015747233347
Sub-packaging weight	0,72 kg
Sub-packaging description	Plastic packaging
Sub-packaging quantity	5 Pcs
Sub-packaging EAN barcode	8015747233354

Part number

MFO 06 L40



Catalogue drawings



Notes

Dimensions shown in mm are not binding and may be changed without notice.
