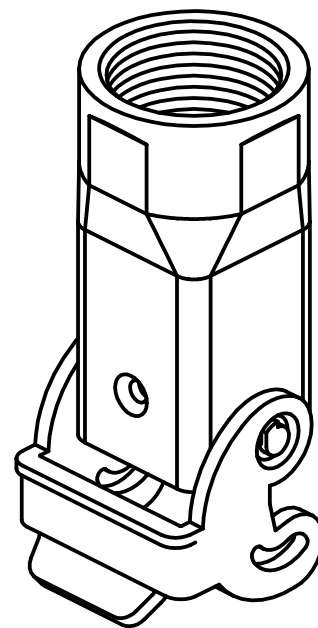


1

2

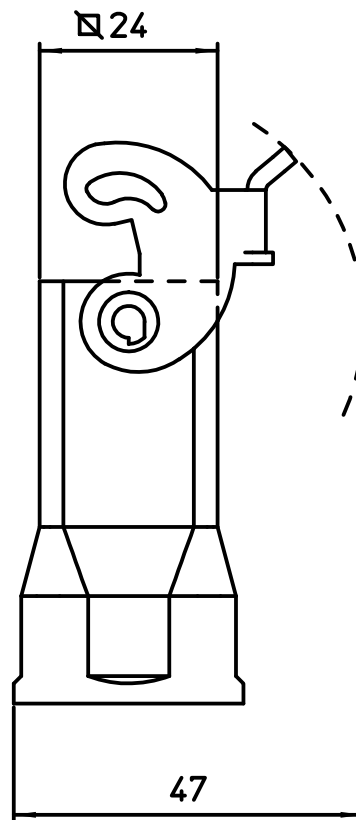
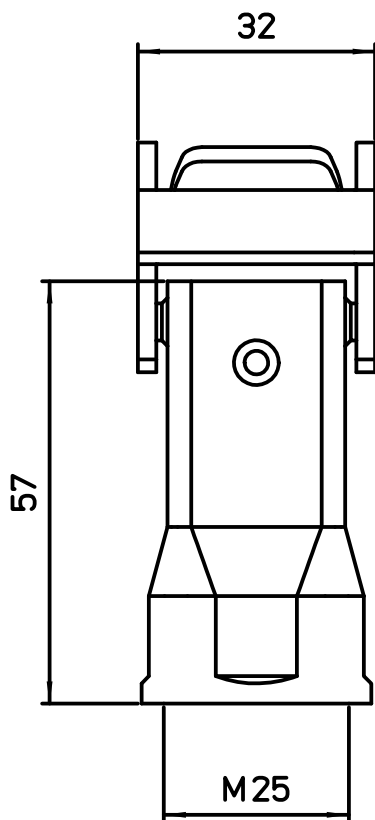
A

A



B

B



C

C


REV.	DATE	SIGNATURE	
------	------	-----------	--



Dimensions in mm

Simplified representation with dimensions without tolerance

Original Size A4
Date 23/06/20
Sign. B. Pitasi

MKH VG25  
 Insulating hood top entry M25 - HYGIENIC

Scale  
 1:1



1

2

All rights reserved

Diritti riservati