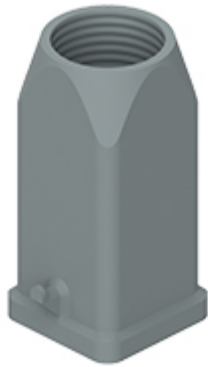


Part number

MKGH V20



Hood, CKH series, with 2 pegs, M20 top cable entry, size "21.21"

Product description

| | |
|----------------------|------------------------|
| Product type | Hood |
| Series | CKH |
| Closing type | with 2 pegs |
| Size | size "21.21" |
| Cable entry | top cable entry M20 |
| Specification | with gasket |

Technical data

| | |
|--------------------------------|---|
| IP degree of protection | IP44 (IP66/IP67/IP69 with CKRH 65/CKRH 65 D kits) |
|--------------------------------|---|

Further technical details

| | |
|---|---------------|
| Operating temperature range (min, max) | -40°C...+70°C |
|---|---------------|

Material properties

| | |
|------------------------|-------------------------|
| Main material | Polyamide (PA) |
| Other materials | Gasket: silicone rubber |
| Colour | RAL 7012 grey |

General ordering information

| | |
|-------------------|---------------|
| EAN13 code | 8015747279727 |
|-------------------|---------------|

Packaging Information

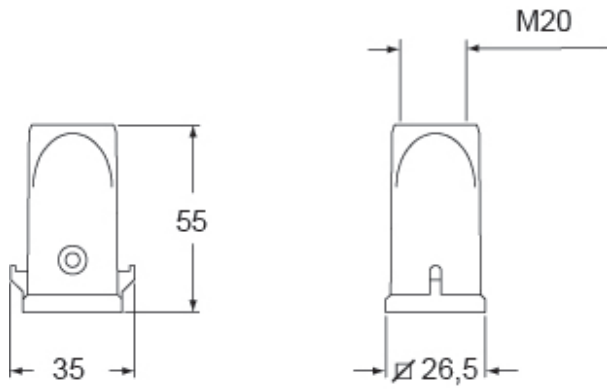
| | |
|----------------------------------|---------------|
| Sub-packaging description | Plastic bag |
| Sub-packaging quantity | 1 Pcs |
| Sub-packaging EAN barcode | 8015747280471 |

Part number

MKGH V20



Catalogue drawings



Notes

Dimensions shown in mm are not binding and may be changed without notice.
