

Part number

MKH V25



Hood, CKH series, with 2 pegs, M25 top cable entry, size "21.21"

Product description

Product type	Hood
Series	CKH
Closing type	with 2 pegs
Size	size "21.21"
Cable entry	top cable entry M25

Technical data

IP degree of protection	IP44 (IP66/IP67/IP69 with CKRH 65/CKRH 65 D kits)
--------------------------------	---

Further technical details

Operating temperature range (min, max)	-40°C...+70°C
---	---------------

Material properties

Main material	Polyamide (PA)
Colour	RAL 7012 grey

General ordering information

EAN13 code	8015747275439
-------------------	---------------

Packaging Information

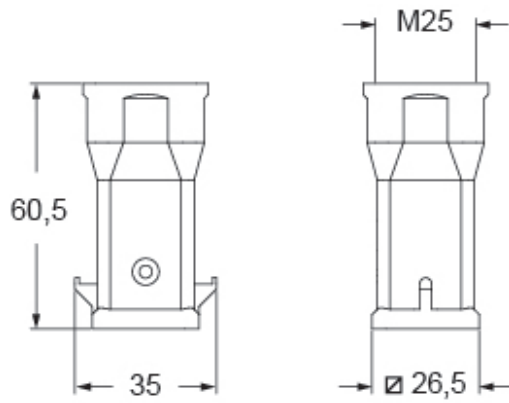
Sub-packaging description	Plastic bag
Sub-packaging quantity	1 Pcs
Sub-packaging EAN barcode	8015747280525

Part number

MKH V25



Catalogue drawings



Notes

Dimensions shown in mm are not binding and may be changed without notice.