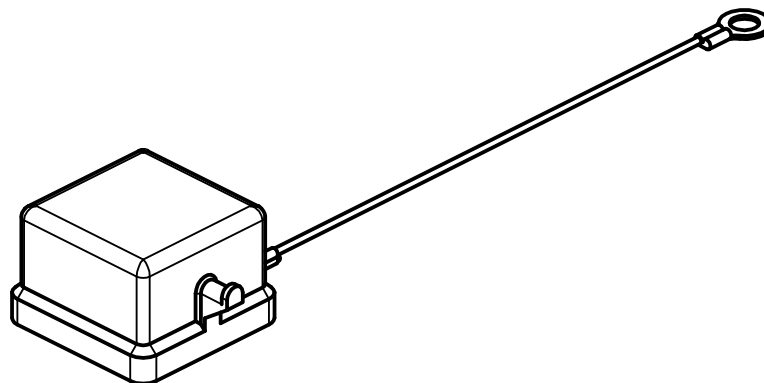


1

2

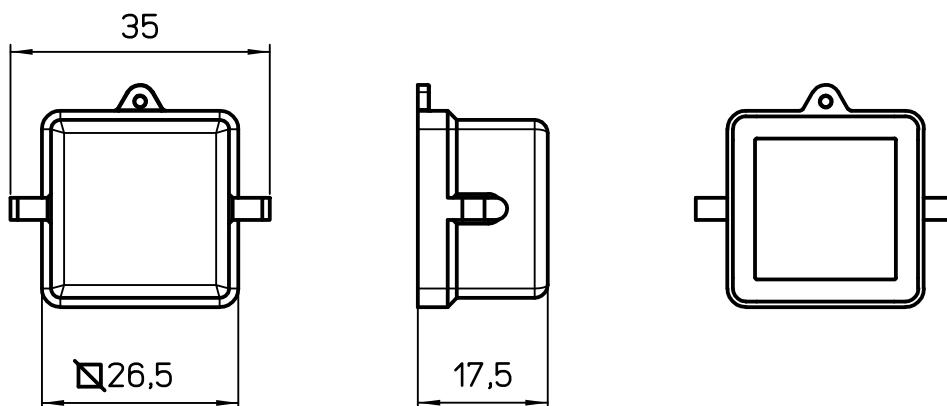
A

A



B

B



C

C


REV.	DATE	SIGNATURE	
------	------	-----------	--

	<b>Dimensions in mm</b>	Simplified representation with dimensions without tolerance	
--	-------------------------	---	--

Original Size A4	CKH 03 CAS Insulating cover for female inserts - HYGIENIC	Scale	
Date 23/06/20		1:1	
Sign. B. Pitasi			

1

2

All rights reserved

Dritti riservati