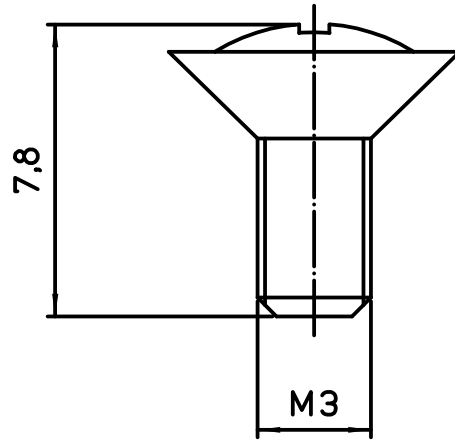
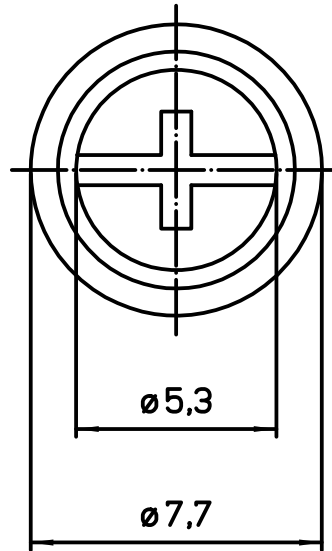


A



B



C

Diritti riservati All rights reserved



Dimensions in mm

Simplified representation with dimensions without tolerance

Original Size A4

Date 13/10/20

Sign. S. Diasparra

CKRH 65 D

Gasket and screw kit for IP66/IP67/IP69 - HYGIENIC

Scale

5:1

