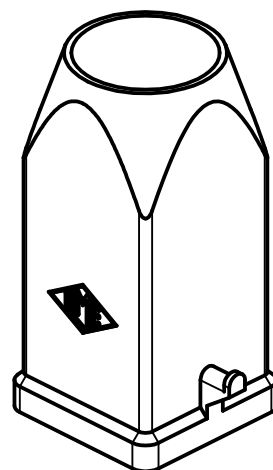


1

2

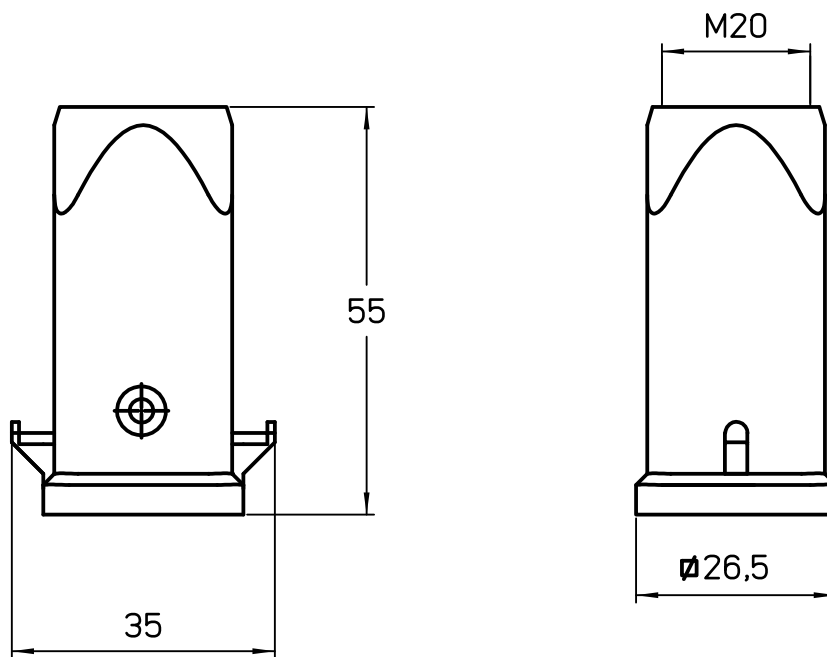
A

A



B

B



C

C

REV.	DATE	SIGNATURE	

	Dimensions in mm
Original Size	A4
Date	23/06/20
Sign.	B. Pitasi

Simplified representation with dimensions without tolerance

MKH V20
 Insulating hood top entry M20 - HYGIENIC

Scale
 1:1



1

2

All rights reserved

Diritti riservati