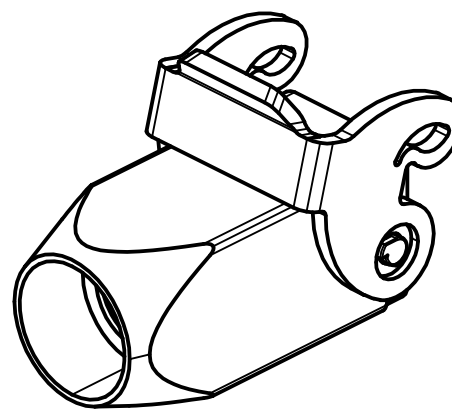


1

2

A

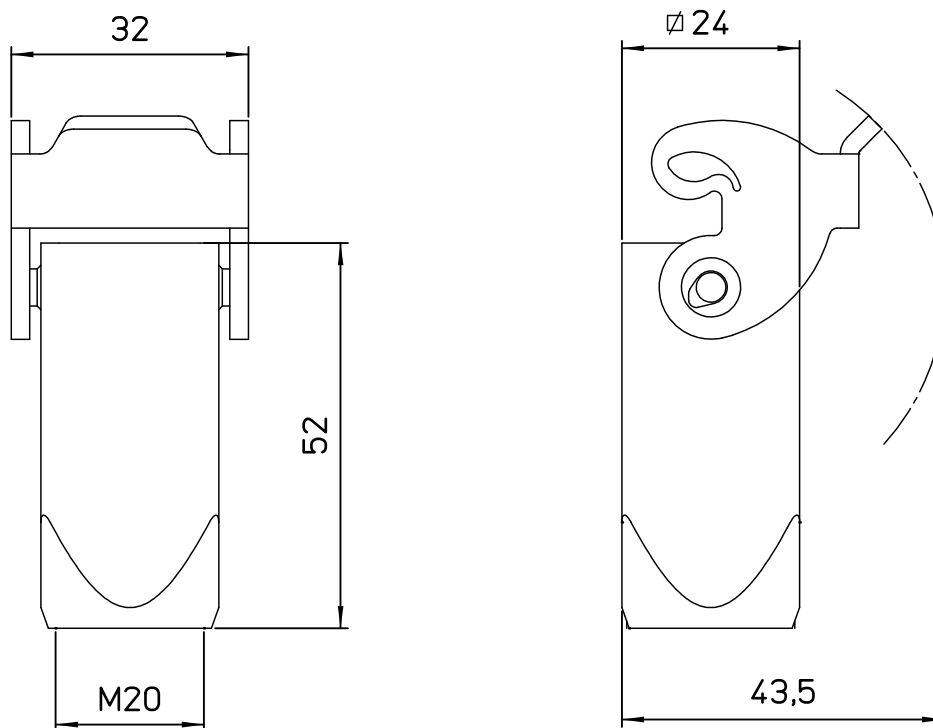
A



All rights reserved

B

B



Diritti riservati

C

C

REV.	DATE	SIGNATURE	


	Dimensions in mm
Original Size	A4
Date	23/06/20
Sign.	B. Pitasi

Simplified representation with dimensions without tolerance

MKH VG20

Insulating hood top entry M20 - HYGIENIC

Scale 1:1



1

2