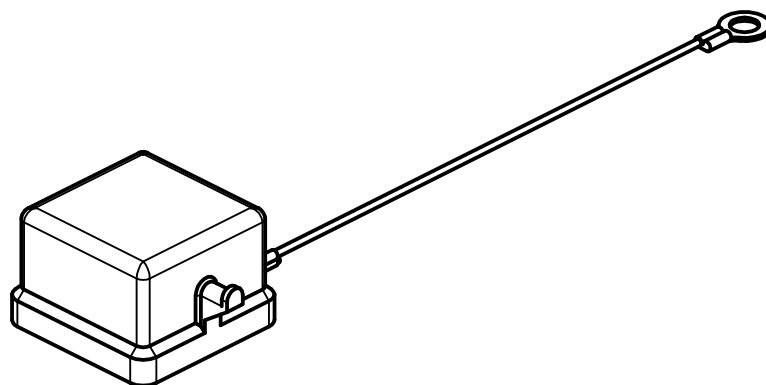


1

2

A

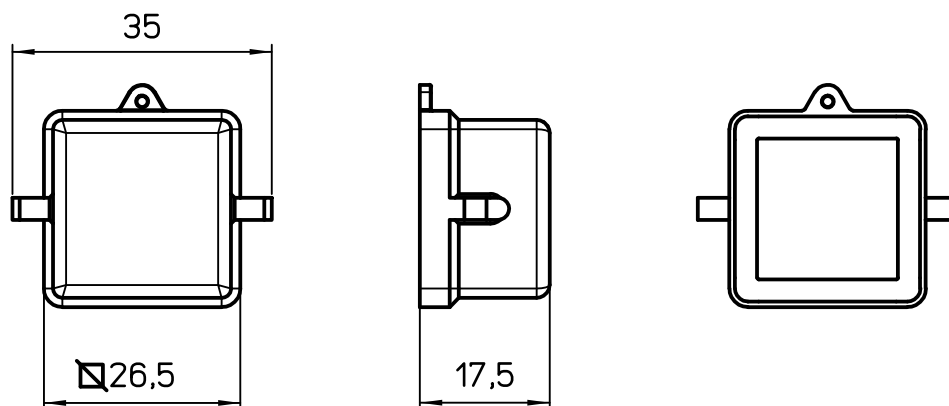
A



All rights reserved

B

B



Diritti riservati

C

C

REV.	DATE	SIGNATURE	

Dimensions in mm	Simplified representation with dimensions without tolerance			
	Original Size A4	CKH 03 CA		Scale 1:1
	Date 23/06/20	Insulating cover for female inserts - HYGIENIC		
Sign. B. Pitasi				

1

2