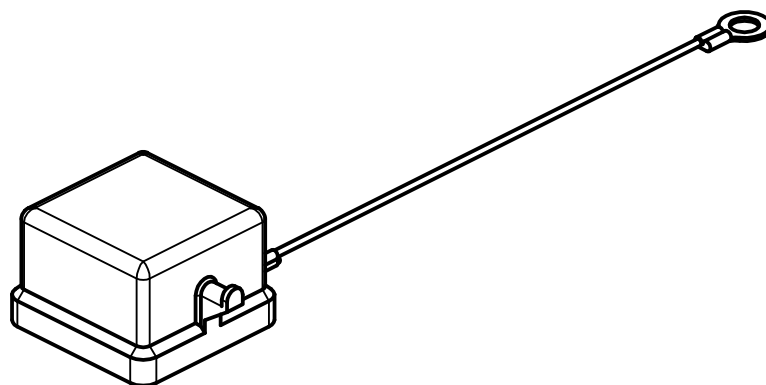


1

2

A

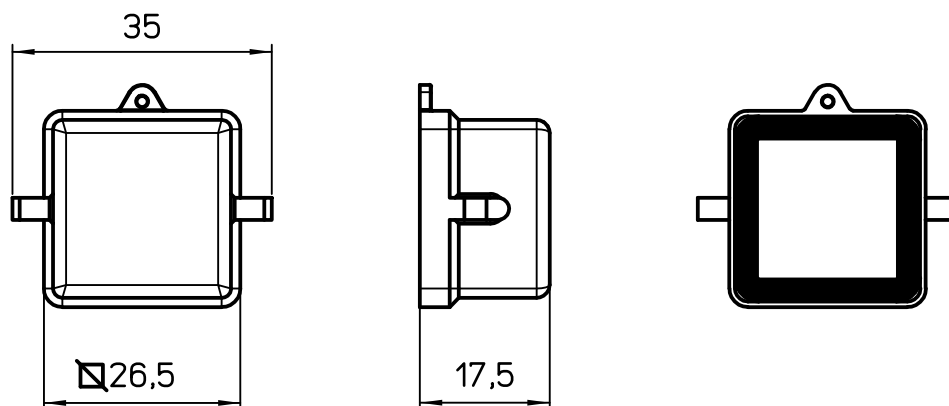
A



All rights reserved

B

B



Diritti riservati

C

C

|  |  |  |  |
|--|--|--|--|
|  |  |  |  |
|  |  |  |  |
|  |  |  |  |

| REV.             | DATE | SIGNATURE   |  |       |
|------------------|------|---|--|-------|
|                  |      |   |  |       |
| Dimensions in mm |      | Simplified representation with dimensions without tolerance |  |       |
| Original Size A4 |      | CKH 03 CS   |  | Scale |
| Date 23/06/20    |      | Insulating cover for female inserts GASKET - HYGIENIC       |  | 1:1   |
| Sign. B. Pitasi  |      |   |  |       |

1

2