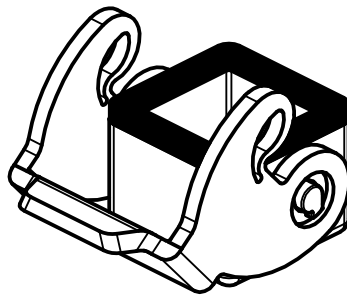


1

2

A

A

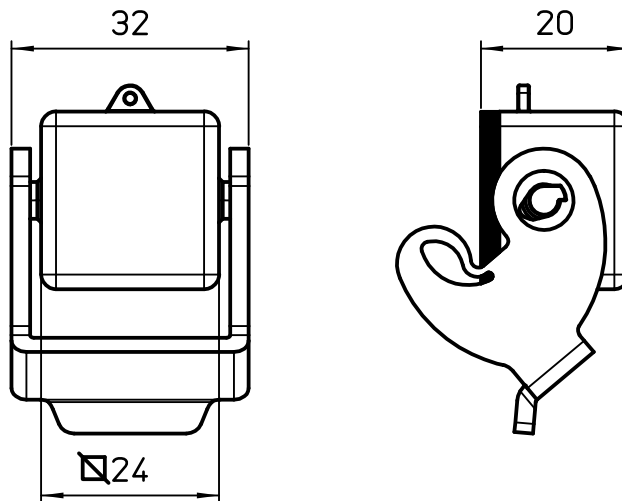


All rights reserved

B

B


Diritti riservati



C

C

REV.	DATE	SIGNATURE	
------	------	-----------	--


Dimensions in mm
Simplified representation with dimensions without tolerance

Original Size A4	CKH 03 CX Insulating cover for female inserts GASKET with 1 lever - HYGIENIC	Scale	
Date 23/06/20		1:1	
Sign. B. Pitasi			

1

2