

Part number

CKH 03 IA



Angled Bulkhead mounting housing, CKH series, with 1 lever without cable entry, size "21.21"

Product description

Product type	Angled bulkhead mounting housing
Series	CKH
Closing type	with 1 lever
Size	size "21.21"
Cable entry	without cable entry

Technical data

IP degree of protection	IP44 (IP66/IP67/IP69 with CKRH 65/CKRH 65 D kits)
--------------------------------	---

Further technical details

Weight	10,00 g
Operating temperature range (min, max)	-40°C...+70°C

Material properties

Main material	Polyamide
Other materials	Polypropylene (lever), silicone rubber (gasket)
Colour	RAL 7012 grey, RAL 5015 blue

General ordering information

EAN13 code	8015747275552
-------------------	---------------

Packaging Information

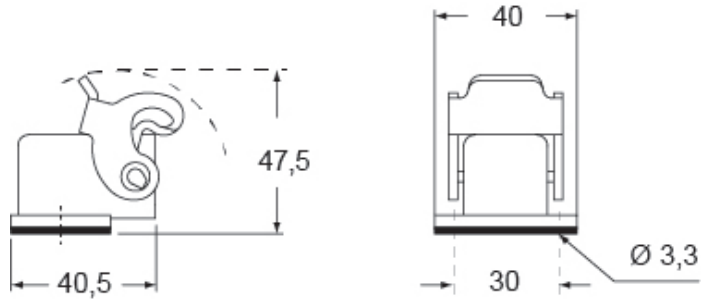
Packaging description	Plastic bag
Packaging quantity	1 Pcs
Packaging EAN code	8015747280235

Part number

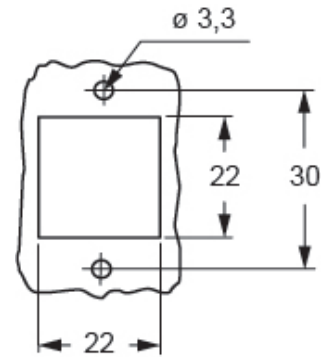
CKH 03 IA



Catalogue drawings



Catalogue drawings



Notes

Dimensions shown in mm are not binding and may be changed without notice.
