

Part number

MKH IAP20



Angled Bulkhead mounting housing, CKH series, with 1 lever, M20 cable entry, size "21.21"

Product description

Product type	Angled bulkhead mounting housing
Series	CKH
Closing type	with 1 lever
Size	size "21.21"
Cable entry	with cable entry M20

Technical data

IP degree of protection	IP44 (IP66/IP67/IP69 with CKRH 65/CKRH 65 D kits)
--------------------------------	---

Further technical details

Weight	13,00 g
Operating temperature range (min, max)	-40°C...+70°C

Material properties

Main material	Polyamide (PA)
Other materials	Lever: polypropylene (PP) Gasket: silicone rubber
Colour	RAL 7012 grey, RAL 5015 blue

General ordering information

EAN13 code	8015747275408
-------------------	---------------

Packaging Information

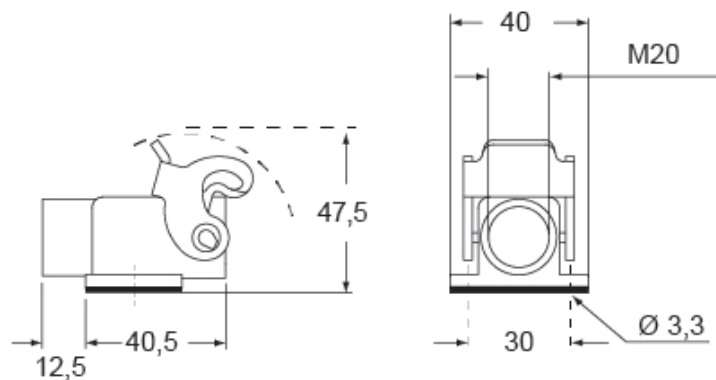
Sub-packaging description	Plastic bag
Sub-packaging quantity	1 Pcs
Sub-packaging EAN barcode	8015747280501

Part number

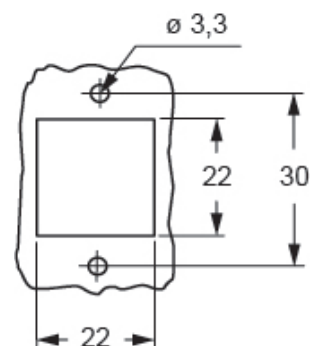
MKH IAP20



Catalogue drawings



Catalogue drawings



Notes

Dimensions shown in mm are not binding and may be changed without notice.
