

Part number

# MKH V20



Hood, CKH series, with 2 pegs, M20 top cable entry, size "21.21"

#### Product description

<b>Product type</b>	Hood
<b>Series</b>	CKH
<b>Closing type</b>	with 2 pegs
<b>Size</b>	size "21.21"
<b>Cable entry</b>	top cable entry M20

#### Technical data

<b>IP degree of protection</b>	IP44 (IP66/IP67/IP69 with CKRH 65/CKRH 65 D kits)
--------------------------------	---

#### Further technical details

<b>Weight</b>	9,50 g
<b>Operating temperature range (min, max)</b>	-40°C...+70°C

#### Material properties

<b>Main material</b>	Polyamide (PA)
<b>Colour</b>	RAL 7012 grey

#### General ordering information

<b>EAN13 code</b>	8015747271974
-------------------	---------------

#### Packaging Information

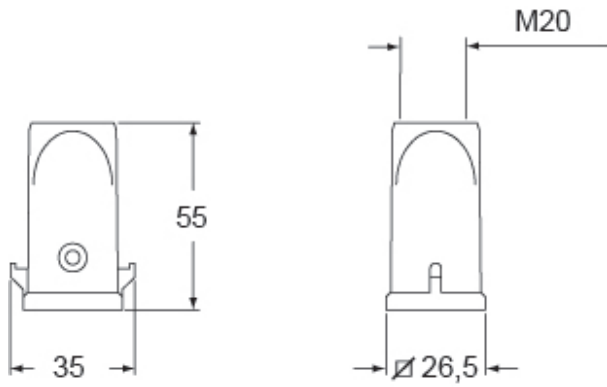
<b>Sub-packaging description</b>	Plastic bag
<b>Sub-packaging quantity</b>	1 Pcs
<b>Sub-packaging EAN barcode</b>	8015747280518

Part number

# MKH V20



## Catalogue drawings



## Notes

Dimensions shown in mm are not binding and may be changed without notice.

---