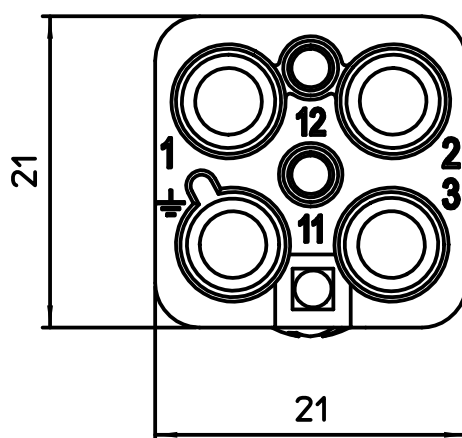
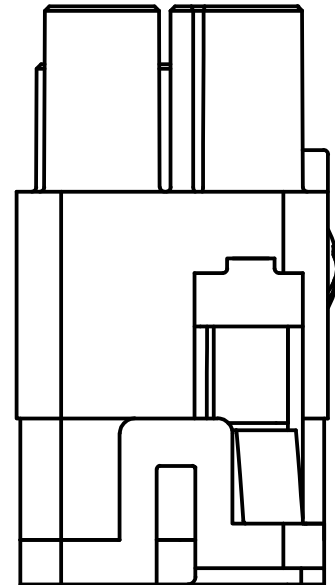
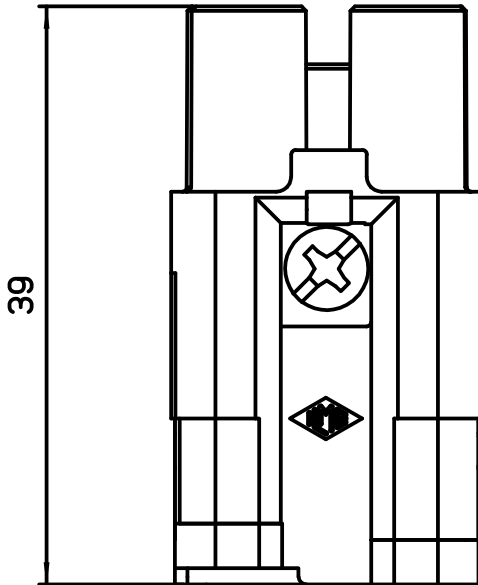
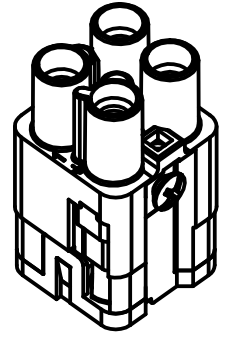
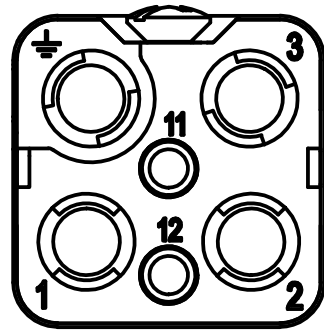


1

2



All rights reserved

Diritti riservati

REV.	DATE	SIGNATURE


 Dimensions in mm

Simplified representation with dimensions without tolerance

Original Size A4
Date 11/07/18
Sign. T.Tedeschi

CQ4F 03/2 female insert crimp
3P+ Ⓧ 40A 400V 6kV 3 + 2P 10A 250V 4kV 3

Scale
2:1



1

2