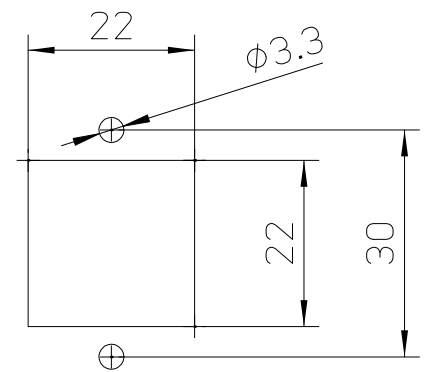
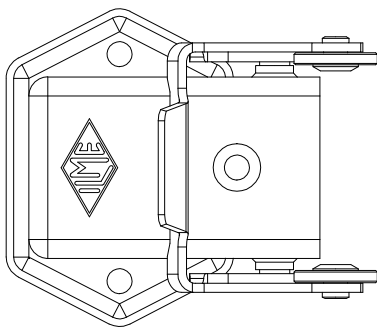
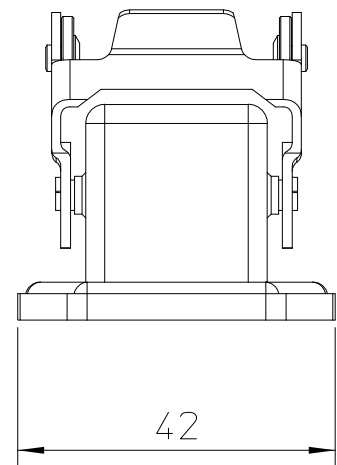
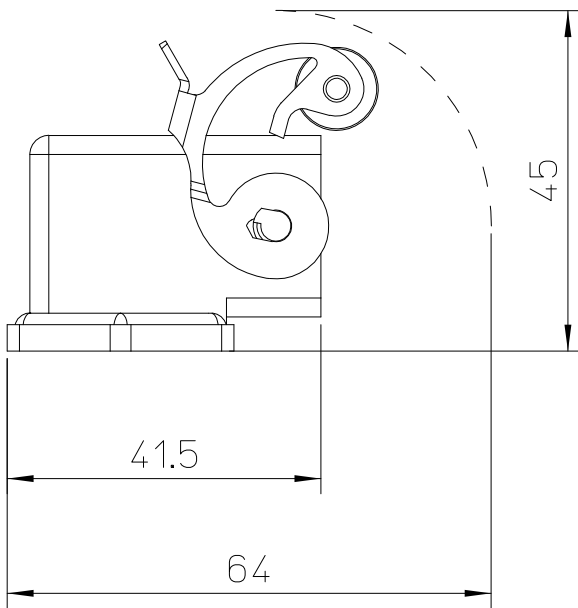
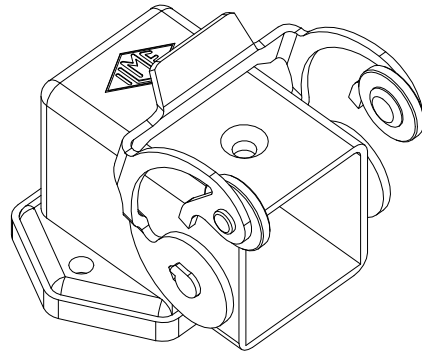


Diritti riservati All rights reserved



Panel cut out

dimensions in mm
Date 28/03/17
Sign. C. Mainini

CKAXE 03 IA

Metal angled Bulkhead housing steel 1 lever - E-Xtreme

Scale
1:1

