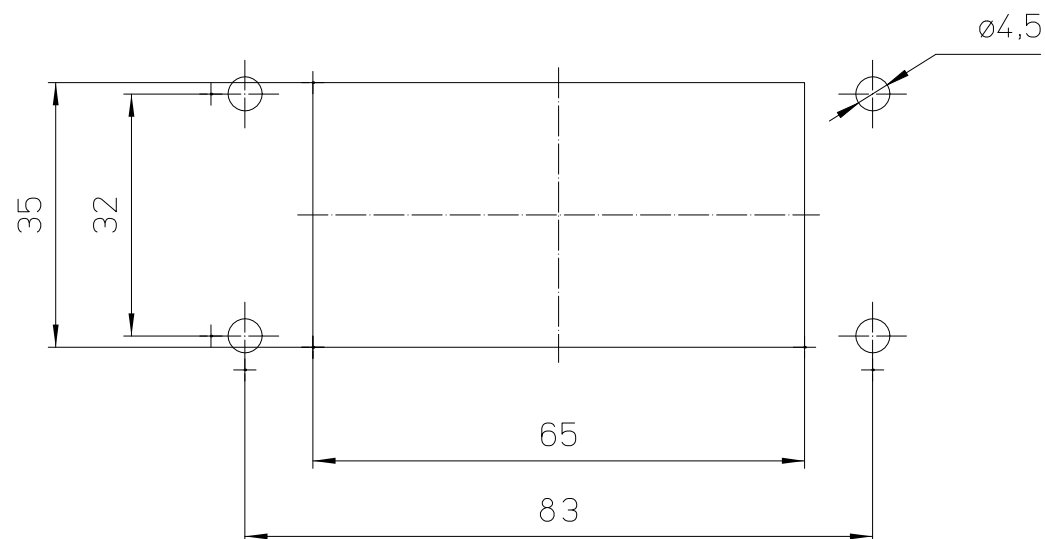
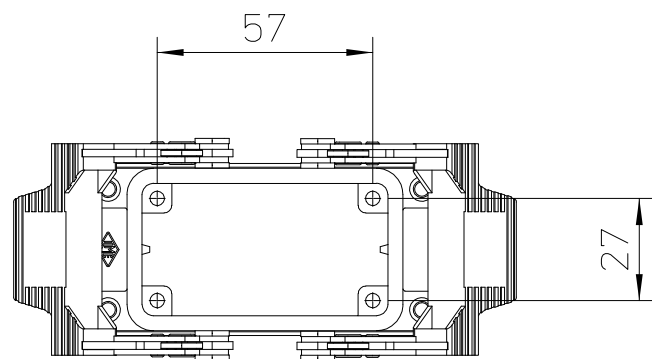



Panel cut out - scala 1:1



| | | | |
|------------------|---------------------------------------|--|---|
| | | | |
| | | | |
| | | | |
| | | | |
| dimensions in mm | CHIE 10 | | Scale |
| Date 17/11/16 | Bulkhead housing, 2 levers - E-XTREME | | 1:2 |
| Sign. C. Mainini | | | |
| | | |  |