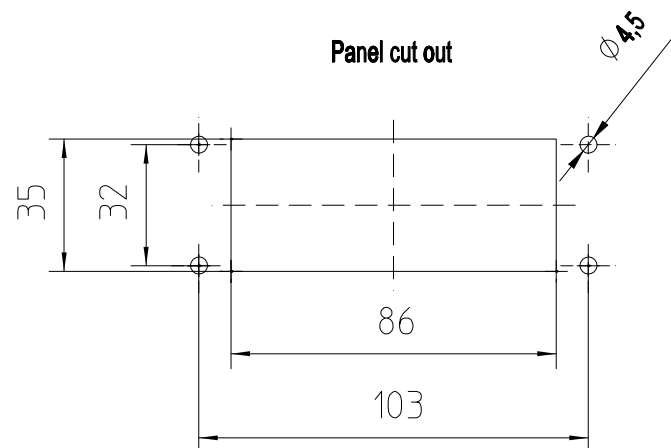
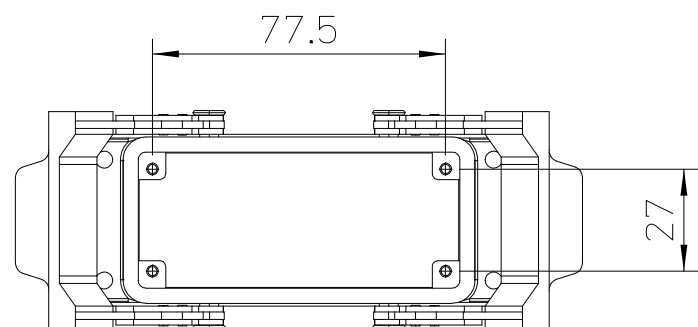
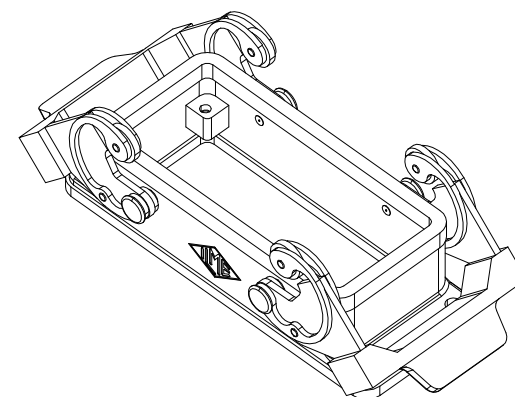
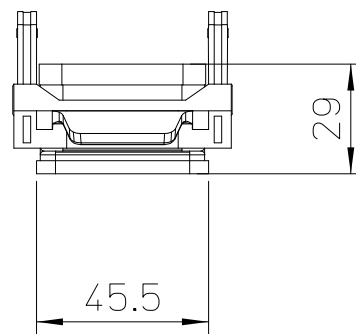
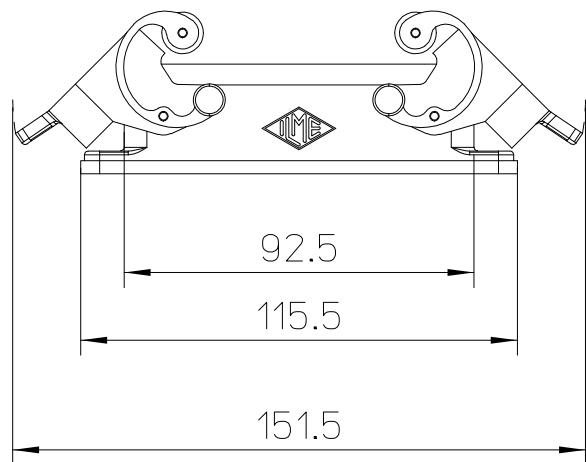



Diritti riservati All rights reserved



dimensions in mm	<b>CHIE 16</b> <b>Bulkhead housing, 2 levers - E-XTREME</b>	<b>Scale</b> <b>1:2</b>	
Date 17/11/16			
Sign. C. Mainini			