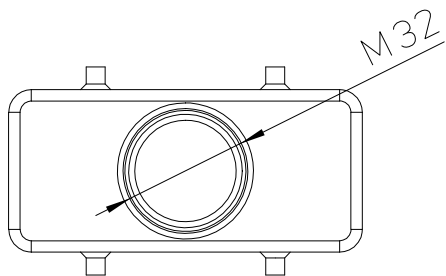
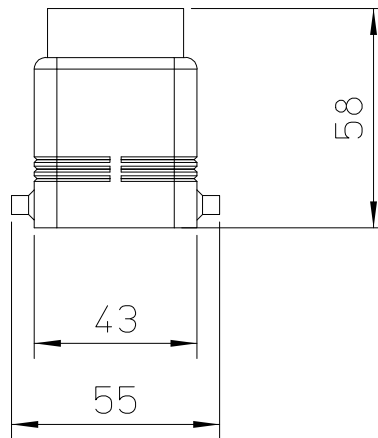
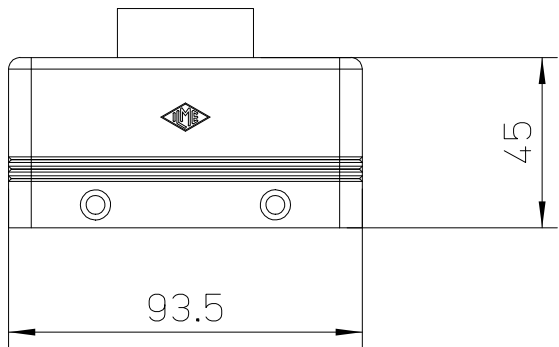
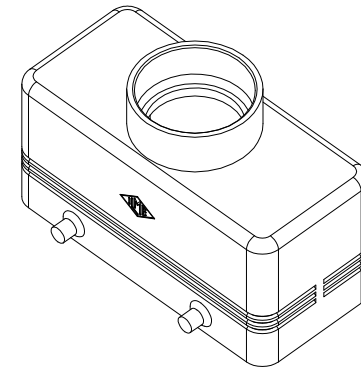
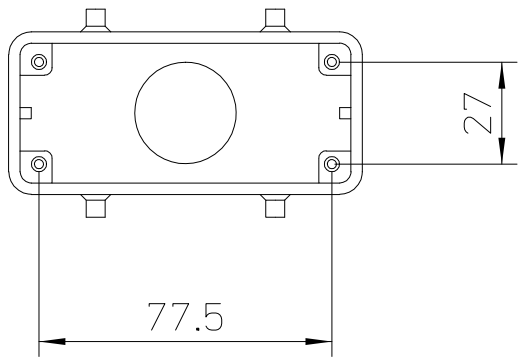


Diritti riservati All rights reserved



dimensions in mm	MHVE 16.32		Scale
Date 10/03/17	Hood, with entry M32 - E-XTREME		1:2
Sign. C. Mainini			