

Part number

MHPE 48 LS40



Surface mounting housing, E-Xtreme® C-TYPE series, with 1 lever, M40 cable entry, size "104.62", with metal cover

Product description

Product type	surface mounting housing
Series	E-Xtreme® C-TYPE
Closing type	with 1 lever
Size	size "104.62"
Cable entry	M40
Specification	with metal cover

Technical data

IP degree of protection	IP66/IP69
--------------------------------	-----------

General ordering information

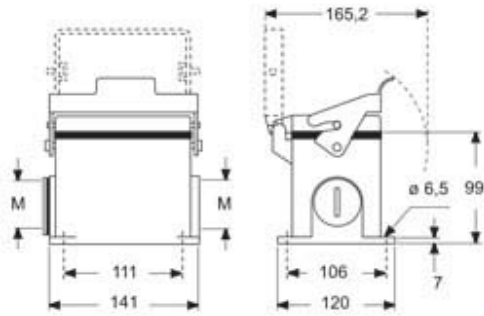
EAN13 code	8015747254878
-------------------	---------------

Part number

MHPE 48 LS40



Catalogue drawings



Notes

Dimensions shown in mm are not binding and may be changed without notice.
