

Part number

# CX7FA 6.0



female crimp contact, CX7 series, 70 A, silver plated, wire cross section 6 mm<sup>2</sup>, AWG 10

#### Product description

<b>Product type</b>	crimp contact
<b>Series</b>	CX7
<b>Gender</b>	female

#### Technical data

<b>Current</b>	70 A
<b>Wire cross-section</b>	6,00 mm <sup>2</sup>
<b>AWG size</b>	10
<b>Contact type</b>	turned silver plated

#### Further technical details

<b>Mating cycles</b>	≥ 500
<b>Weight</b>	8,50 g
<b>Conductors stripping length</b>	15 mm

#### General ordering information

<b>EAN13 code</b>	8015747271929
-------------------	---------------

#### Packaging Information

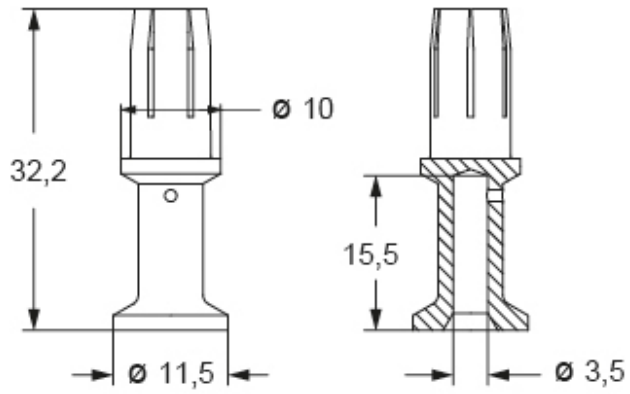
<b>Sub-packaging length</b>	50,00 mm
<b>Sub-packaging height</b>	44,00 mm
<b>Sub-packaging width</b>	50,00 mm
<b>Sub-packaging weight</b>	0,14 kg
<b>Sub-packaging volume</b>	0,11 dm <sup>3</sup>
<b>Sub-packaging description</b>	Plastic box
<b>Sub-packaging quantity</b>	16 Pcs
<b>Sub-packaging EAN barcode</b>	8015747271936

Part number

# CX7FA 6.0



## Catalogue drawings



## Notes

Dimensions shown in mm are not binding and may be changed without notice.

---