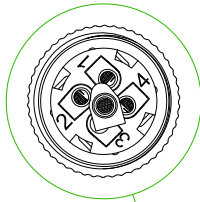


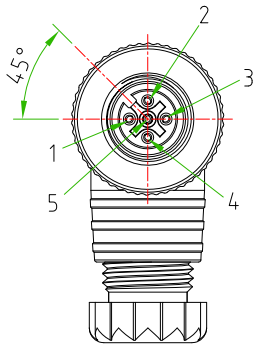
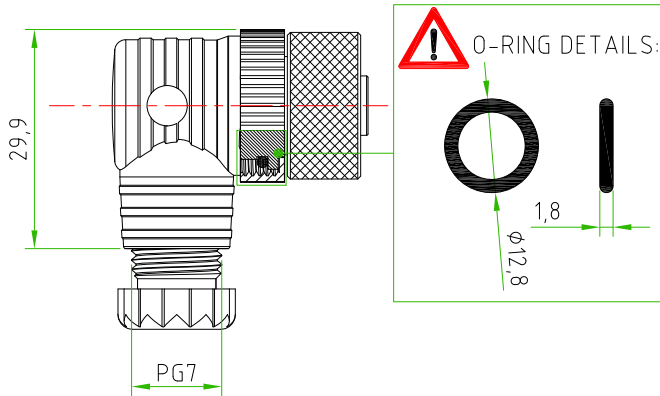
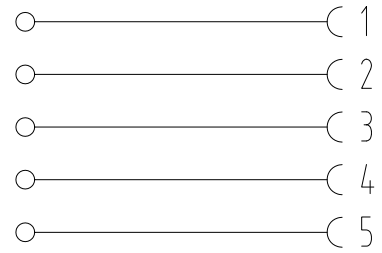
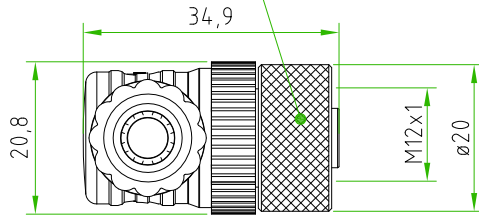
Rev.			
Modify			
Date			
Signed			
Approved			

Rev.			
Modify			
Date			
Signed			
Approved			

Rev.			
Modify			
Date			
Signed			
Approved			



!
ON THE INTERNAL CORE
MUST BE SILK PRINTED
THE CONTACTS NUMBERS

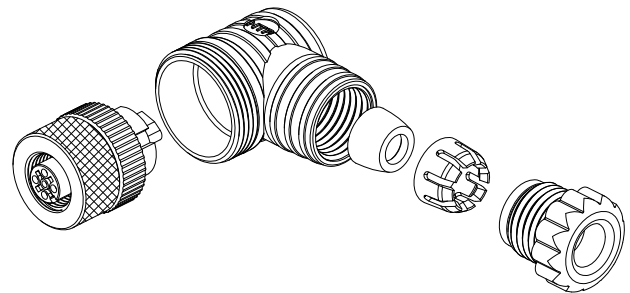


CONNECTOR FEATURES	
PRODUCT TYPE	M12 CIRCULAR CONNECTOR FIELD ATTACHABLE
CONNECTOR TYPE	FIELD ATTACHABLE 90°
HOUSING MATERIAL/COLOUR	PA66+30%GF/BLACK
PRESS-CABLE MATERIAL/COLOUR	PA66/BLACK
INTERNAL CORE MATERIAL/COLOUR	PA66/BLACK
M12 COUPLING NUT MATERIAL	BRASS + NICKEL PLATED
CONTACTS TYPE	FEMALE SCREW CONTACTS
NUMBER OF POLES	5POLES
CABLE EXIT	PG7
SUITABLE CABLE	FROM ø3,5mm TO ø6mm
MAX.CONDUCTOR SIZE	0,75mm ² (AWG18)
PROTECTION CLASS	IP67
RATED VOLTAGE	60V AC/DC
RATED CURRENT	4A
CONNECTOR TEMPERATURE RANGE	from -40°C to +90°C
! PACKAGING: SINGLY PACKED IN THE PLASTIC BAG (PLASTIC BAG WITHOUT ANY LOGO AND LABEL)	

CUSTOMER APPROVAL

SIGNATURE	DATE

PLEASE SIGN
AND RETURN



Designer	Date 2019-10-21	Tolerance ±0.3	Units: mm	Series M12	Drawing n. 1-1
Approved	Date 2019-10-21	Scale 1:1	Size: A4	Customer code:	

ELPROMAN	DESCRIPTION	400012-11
	CIRCULAR CONNECTOR M12 FIELD ATTACHABLE, MALE, ANGLED 90°, 5POLES, EXIT CABLE FROM ø3,5mm TO ø6mm	

A4

