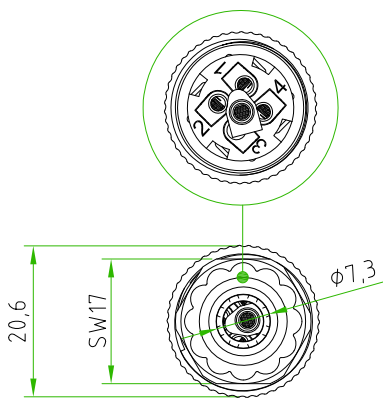


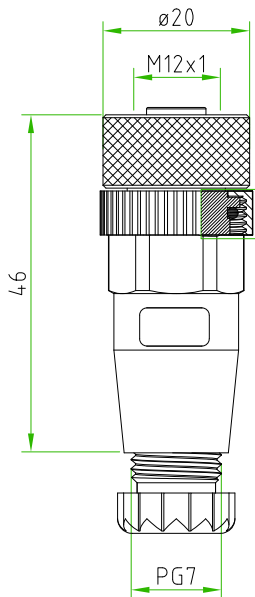
Rev.	Modify	Date	Signed	Approved

Rev.	Modify	Date	Signed	Approved

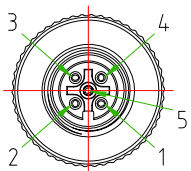
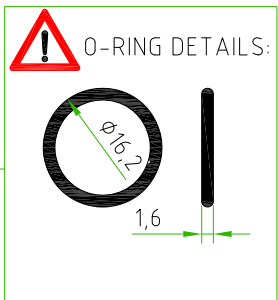
Rev.	Modify	Date	Signed	Approved
01	-	2021.04.27		





ON THE INTERNAL CORE
MUST BE SILK PRINTED
THE CONTACTS NUMBERS



REV.01

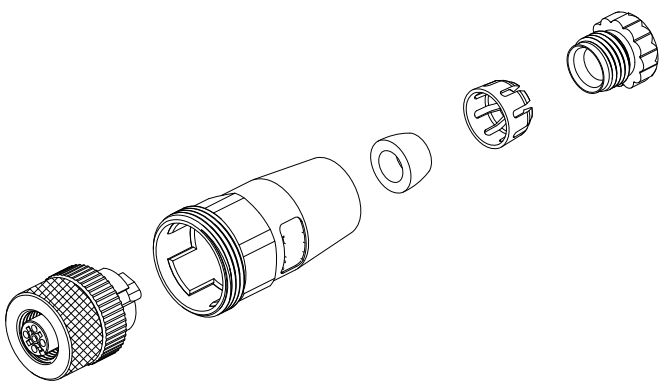


CONNECTOR FEATURES	PRODUCT TYPE	M12 CIRCULAR CONNECTOR FIELD ATTACHABLE
	CONNECTOR TYPE	STRAIGHT 180°
	HOUSING MATERIAL/COLOUR	PA66+30%GF/BLACK
	PRESS-CABLE MATERIAL/COLOUR	PA66/BLACK
	INTERNAL CORE MATERIAL/COLOUR	PA66/BLACK
	M12 COUPLING NUT MATERIAL	BRASS + NICKEL PLATED
	CONTACTS TYPE	FEMALE SCREW CONTACTS
	NUMBER OF POLES	5POLES
	CABLE EXIT	PG7
	SUITABLE CABLE	FROM 4mm TO 6mm
	MAX.CONDUCTOR SIZE	0,75mm ² (AWG18)
	PROTECTION CLASS	IP67
	RATED VOLTAGE	60V AC/DC
RATED CURRENT	4A	
CONNECTOR TEMPERATURE RANGE	from -40°C to +90°C	
 PACKAGING: SINGLY PACKED IN THE PLASTIC BAG (PLASTIC BAG WITHOUT ANY LOGO AND LABEL)		

CUSTOMER APPROVAL

SIGNATURE	DATE

PLEASE SIGN
AND RETURN



Designer	Date 2018-08-07	Tolerance ±0.3	Units: mm	Series M12	Drawing n. 1-1
Approved	Date 2018-08-07	Scale 1:1	Size: A4	Customer code:	

	DESCRIPTION CIRCULAR CONNECTOR M12 FIELD ATTACHABLE,FEMALE,STRAIGHT 180°,5POLES, PG7 EXIT CABLE.	400002-11
---	---	-----------

