


Part number

COB TSF



Brief description:

insert carrier blocks for mobile mounting, kit with 2 elements, for coupling of inserts with screw fixing centre distance (short side = 27 mm) with handle for cable support bands COB TSF

Product description		Approvals / Standards	
Version	COB panel supports	Quality mark	 CE
Series	Mobile type	Conformity	Not applicable
Product type	insert carrier blocks for mobile mounting	General ordering information	
Style	for coupling of inserts with screw fixing centre distance 27 mm (short side), with handle for cable support bands	EAN13 code	8015747036740
Family	Panel supports for multipole connectors	Packaging Information	
Technical data		Packaging length	125,00 mm
Material	thermoplastic	Packaging height	110,00 mm
IP degree of protection	IP20	Packaging width	225,00 mm
Further technical details		Packaging weight	0,63 kg
Weight	25,00 g	Packaging volume	3,09 dm ³
		Packaging description	Carton box
		Packaging quantity	25 Pcs
		Packaging EAN code	8015747036757

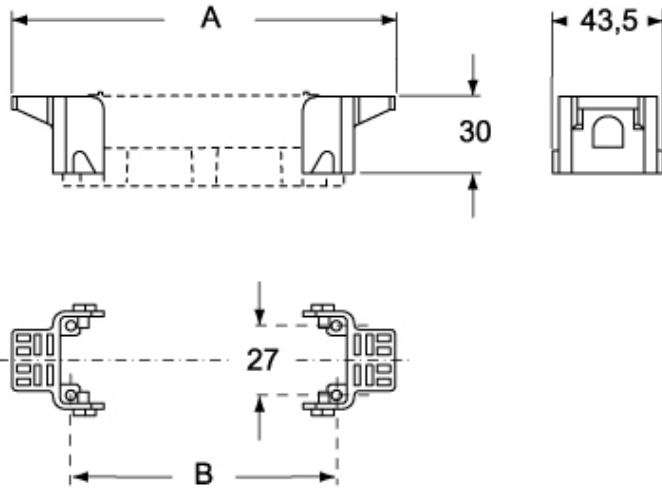
Part number

COB TSF



Catalogue drawings

COB TSF



COB TSFS

