

Part number

COB 06 BC



Brief description:

connector carrier baseplate for mounting on DIN EN 60715 rail or fixed mounting using screws, kit comprising frame and mobile blocks for insert coupling: with screw fixing centre distance of 44 x 27 mm

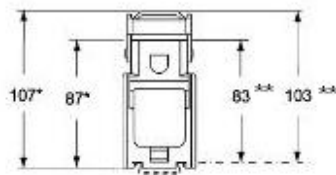
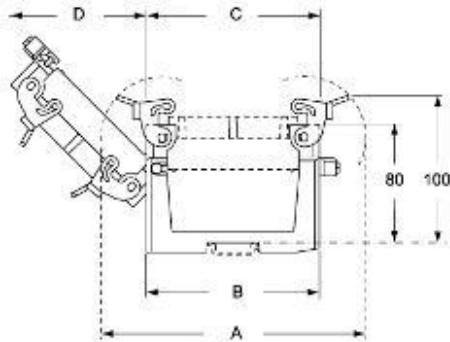
Product description		Approvals / Standards	
Version	COB panel supports	Quality mark	ULUS
Series	Fixed type	Conformity	Not applicable
Product type	connector carrier baseplate for mounting on DIN EN 60715 rail or fixed mounting using screws	General ordering information	
Style	For insert coupling with screw fixing centre distance of 44 x 27 mm	EAN13 code	8015747036467
Family	Panel supports for multipole connectors	Packaging Information	
Size	size "44.27"	Packaging length	275,00 mm
Technical data		Packaging height	110,00 mm
Material	thermoplastic	Packaging width	430,00 mm
IP degree of protection	IP20	Packaging weight	2,15 kg
Further technical details		Packaging volume	13,01 dm ³
Weight	85,00 g	Packaging description	Carton box
		Packaging quantity	20 Pcs
		Packaging EAN code	8015747036474
		Sub-packaging length	95,00 mm
		Sub-packaging height	40,00 mm
		Sub-packaging width	253,00 mm
		Sub-packaging weight	0,54 kg
		Sub-packaging volume	0,96 dm ³
		Sub-packaging description	Carton tray
		Sub-packaging quantity	5 Pcs
		Sub-packaging EAN barcode	8015747036481

Part number

COB 06 BC



Catalogue drawings



Catalogue drawings

COB..BC

