

Part number
CDF 15



Brief description:

female insert, 15 poles + PE, crimp connections, 10A, 250V, 4kV, 3, size "49.16", CLASS insert series

Product description		Approvals / Standards	
Model	female insert	Reference standard	EN 61984:2009-06
Version	crimp connections	Quality mark	DNV-GL, EAC
Series	CD	Conformity	CQC, CE
Product type	for female contacts 10A	General ordering information	
Family	CLASS inserts	EAN13 code	8015747014366
Size	size "49.16"	Tariff number	85369095
N. of poles	15 poles +	Country of origin	Made in EU (IT)
Technical data		ETIM classification	EC000438
Current	10 A (A.C. and D.C.)	Packaging Information	
Voltage	250 V	Packaging length	230,00 mm
Rated impulse withstand voltage	4kV	Packaging height	110,00 mm
Pollution degree	3	Packaging width	130,00 mm
Operating temperature range (min, max)	-40°C ... +125°C	Packaging weight	1,09 kg
Mating cycles	≥ 500	Packaging volume	3,29 dm ³
IP degree of protection	IP20 without enclosure, IP65/IP66 with enclosure	Packaging description	Carton box
PE connection type	Screw	Packaging quantity	30 Pcs
PE terminal stripping length	7 mm	Packaging EAN code	8015747014373
PE wire cross-section	0,14-2,5 mm ² ; AWG 26-14	Sub-packaging weight	0,18 kg
Tightening torque for PE connection	M4: 1,2 Nm, 10,6 lb.in (Ph2 or 1,0x5,5mm)	Sub-packaging description	Carton tray
Sub-packaging quantity		Sub-packaging quantity	5 Pcs
Sub-packaging EAN barcode		Sub-packaging EAN barcode	8015747014380
Further technical details			
Characteristics according to EN 61984	10A 250V 4kV 3; 10A 230/400V 4kV 2		
Insulation resistance	≥ 10 GΩ		
Contact resistance	≤ 3 mΩ		
Rated voltage according to UL/CSA	600V		
UL 94 flammability rating	V-0		
Main contacts stripping length	6 - 8 mm		
Tightening torque for fixing screws	M3: 0.5 Nm; 4.4 lb.in (Ph1 or 0.8x4 mm)		
Weight	29,50 g		

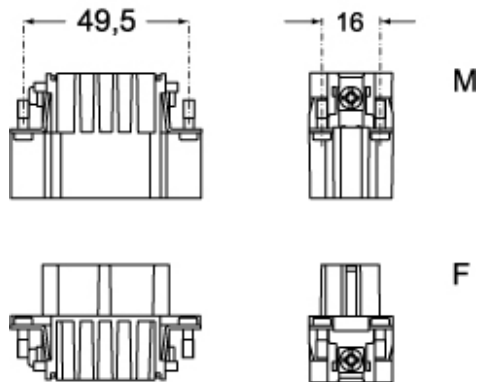
Part number

CDF 15

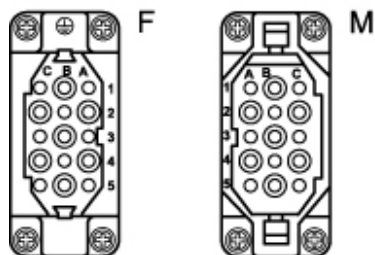


Catalogue drawings

CDM 15

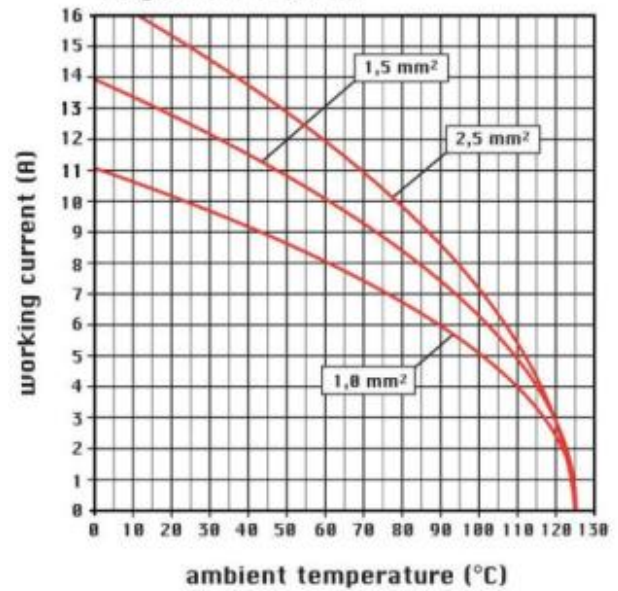


CDF 15



Catalogue drawings

diagram CD 15 poles



Notes

CDA ... : for non-prepared conductors



CDA ... X : for conductors with bush terminal