

Part number

MGP 06.32



Brief description:

surface mounting housing, screw locking, size "44.27", M32, high protection IP68 version, IP68

Product description

Version	high protection IP68 version
Series	surface mounting housing, screw locking
Product type	for 2 screws
Family	IP68 enclosures
Size	size "44.27"

Technical data

IP degree of protection	IP66/IP68/IP69
Cable entry	M32

Further technical details

Weight	774,00 g
---------------	----------

Approvals / Standards

Quality mark	 (type:4/4X/12),  , EAC
Conformity	CQC, CE

General ordering information

EAN13 code	8015747145879
-------------------	---------------

Tariff number

Packaging Information

Packaging length	180,00 mm
Packaging height	130,00 mm
Packaging width	150,00 mm
Packaging weight	1,55 kg
Packaging volume	3,51 dm ³
Packaging description	Carton box
Packaging quantity	2 Pcs
Packaging EAN code	8015747146005
Sub-packaging weight	0,78 kg
Sub-packaging description	Plastic packaging
Sub-packaging quantity	1 Pcs
Sub-packaging EAN barcode	8015747146012

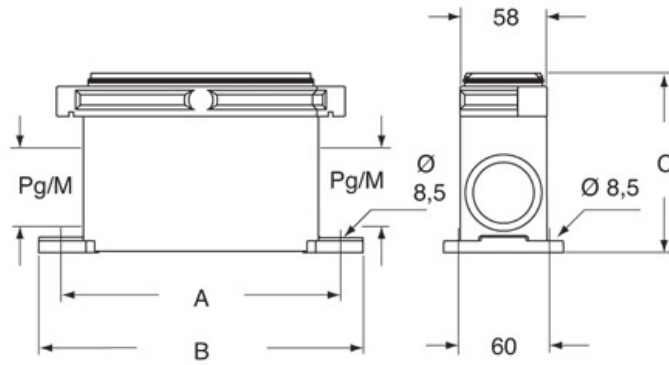
Part number

MGP 06.32



Catalogue drawings

CGP - MGP



	A	B	C
CGP 06 - MGP 06	127	156	110
CGP 10 - MGP 10	140	169	110
CGP 16 - MGP 16	160	189	121
CGP 24 - MGP 24	187	216	121