

Part number

MKAXXR IF



Brief description:

bulkhead mounting housing with 1 stainless steel rigid lever and round threaded appendix, size "21.21", 1 x M32, 180°C version

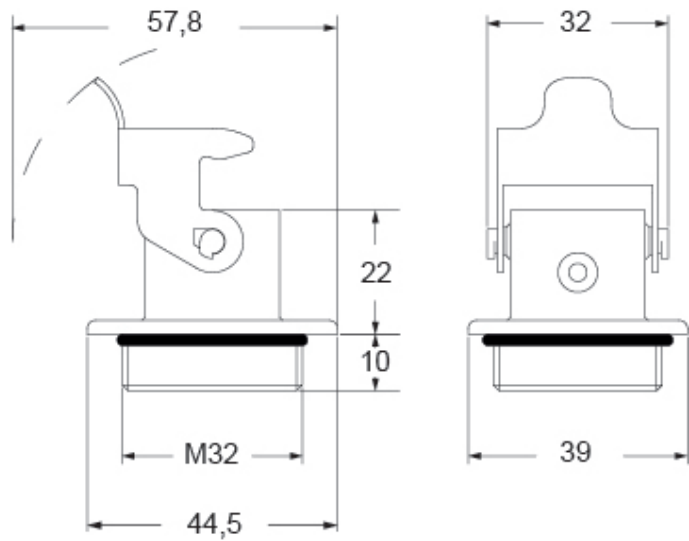
Product description		General ordering information	
Version	180 °C version	EAN13 code	8015747269070
Series	Bulkhead mounting housings with 1 lever	Tariff number	
Product type	With stainless steel rigid lever	Packaging Information	
Variant	round threaded appendix	Packaging length	330,00 mm
Family	CKA metal enclosures	Packaging height	230,00 mm
Size	size "21.21"	Packaging width	205,00 mm
Technical data		Packaging volume	15,56 dm ³
Operating temperature range (min, max)	-40°C...+180°C	Packaging description	Carton box
Material	metal	Packaging quantity	100 Pcs
IP degree of protection	IP44 (IP66/IP67/IP69 with CKR 65/CKR 65 D kits)	Packaging EAN code	8015747269414
Cable entry	M32	Sub-packaging length	185,00 mm
Further technical details		Sub-packaging height	40,00 mm
Weight	0,10 g	Sub-packaging width	155,00 mm
		Sub-packaging volume	1,15 dm ³
		Sub-packaging description	Carton box
		Sub-packaging quantity	10 Pcs
		Sub-packaging EAN barcode	8015747269421

Part number

MKAXXR IF



Catalogue drawings



Catalogue drawings

