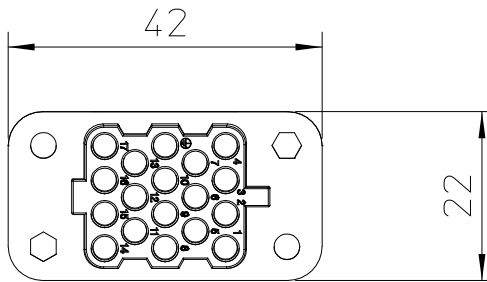
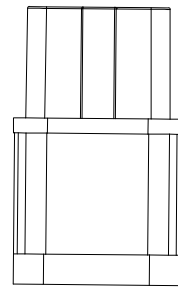
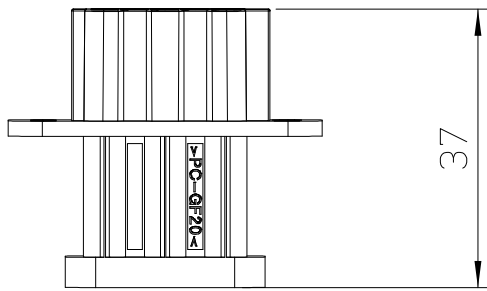
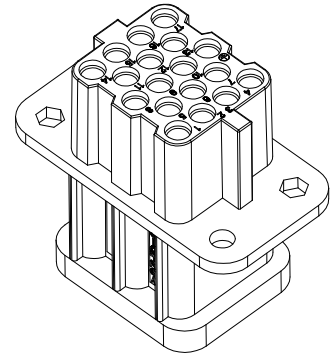
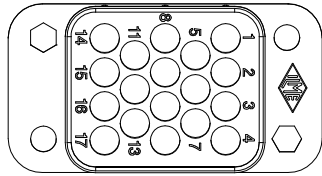


Diritti riservati All rights reserved



| | | | |
|--|--|--|--|
| | | | |
| | | | |
| | | | |
| | | | |

| | |
|------------------|------------|
| dimensions in mm | |
| Date | 13/10/16 |
| Sign. | C. Mainini |

CQF 17
Female insert, crimp, 17P 10A 250V

| |
|-------|
| Scale |
| 1:1 |

