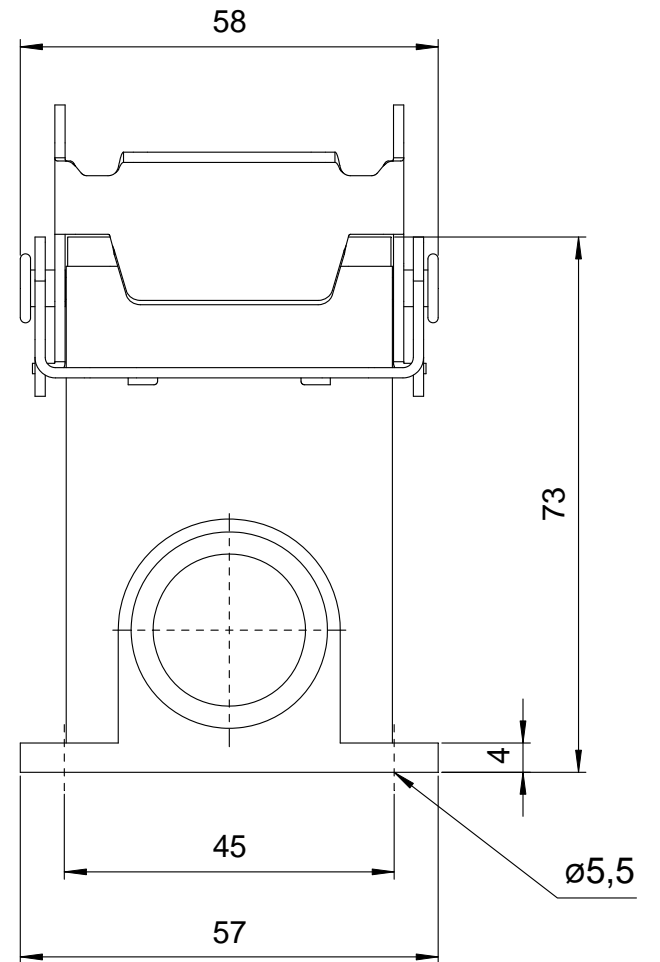
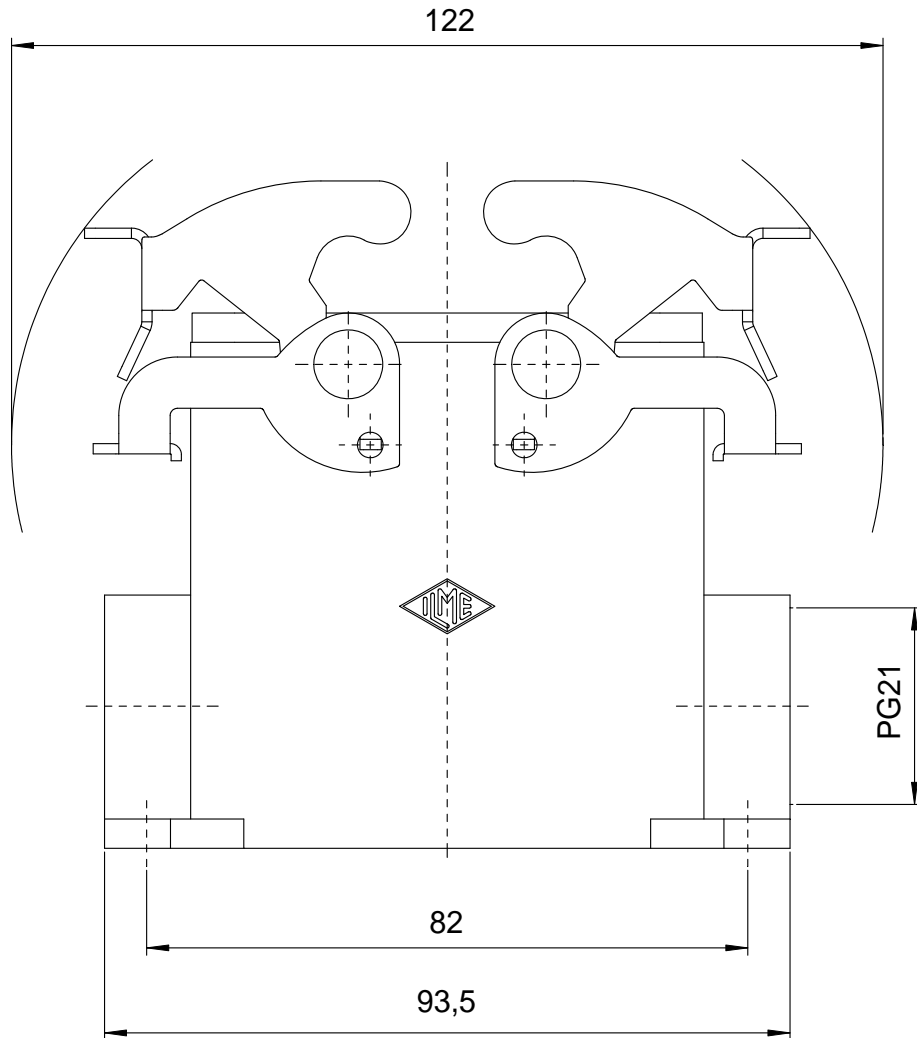


Diritti riservati

All rights reserved



dimensions in mm
Date 08/08/14
Sign. Pezzimenti

C7AP 10.21
Surface mounting h. 2 lev. PG21.

Scale
1:1

