

CT - CTS series

Inserts with incorporated terminal block for multipole connectors (10A max versions)

Use.

The CT-series multipole connectors (with incorporated terminal block) are recommended for greater cost-saving and safety for use on machines and command and control panels.

For control panel mounting, bulkhead housings must be used.

The CT series inserts (10A max versions) are supplied in the plug or socket versions and must be mounted with insertion from the rear of the enclosure (Figures 1 and 2). The space occupied by the terminal block does not allow for the passage of the insert and insertion from the front of the enclosure.

As an alternative to the traditional terminal blocks, the inserts can be mounted inside the control panels on DIN EN 60715 rails (Figure 5) using suitable accessories providing the added advantage of easy sectioning.

The special structure of the CT inserts has all the conductor connections on the same side providing for easier wiring and a complete view of the work area.

The terminal block also has slots for housing the identification wire markers of each contact. Wire markers of different manufacturers may be used such as: Cabur, Grafoplast, Modernotecnica, Phoenix,

Siemens, Wago, Weidmüller.

The CT series is available in the versions "left" and "right" for mounting on the left (Figure 3) or on the right (Figure 4) of the control panel walls.

This characteristic is determined by the position of contact "1" and the ground terminal in the upper part of the insert terminal block for both left and right mounting.

The installation of inserts on DIN rails (Figure 5) inside the control panels is usually made to facilitate the wiring in sectionable parts. In this case the degree of protection for coupled connectors is IP20 (in accordance with EN 60529).

This type of mounting requires supports (CT APE) to be provided to the inserts suitable for mounting on DIN EN 60715 rail.

In addition, CRBF (female) and CRBM (male) coupling screws instead of normal screws are recommended for fixing the inserts to the enclosures (Figure 5) in order to guarantee a stable and safe coupling between the CT and CTS inserts installed on the DIN rails and corresponding CD inserts.

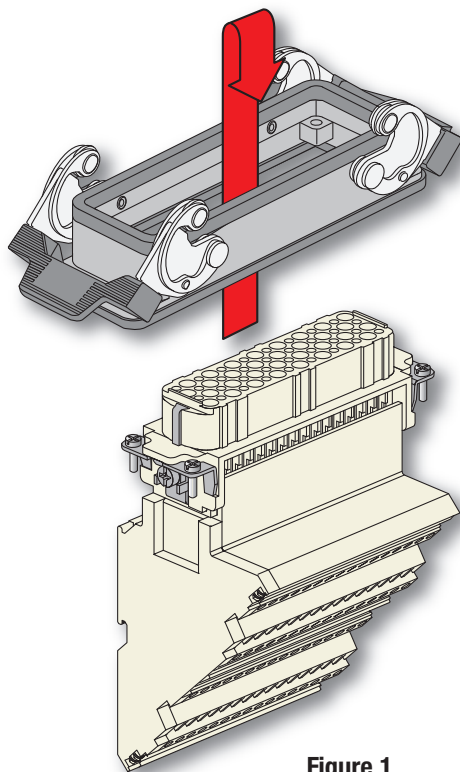


Figure 1

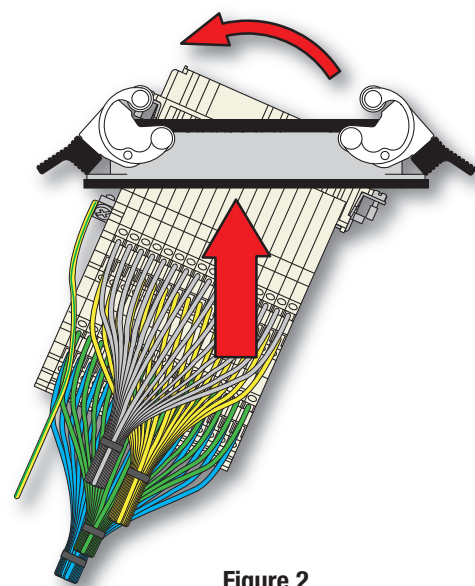


Figure 2

Figures 1 and 2 (rear mounting)

The insert is inserted into the bulkhead housing with pre-wired conductors connected at the opposite end.

CT - CTS series

Inserts with incorporated terminal block for multipole connectors

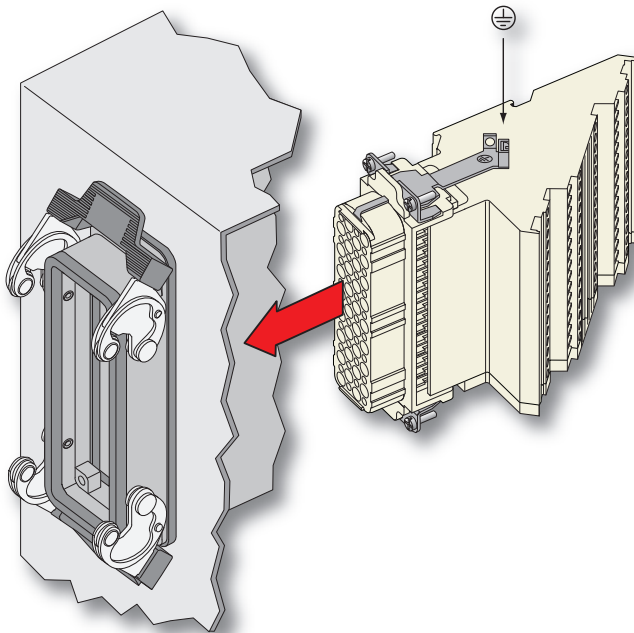


Figure 3 (left mounting)

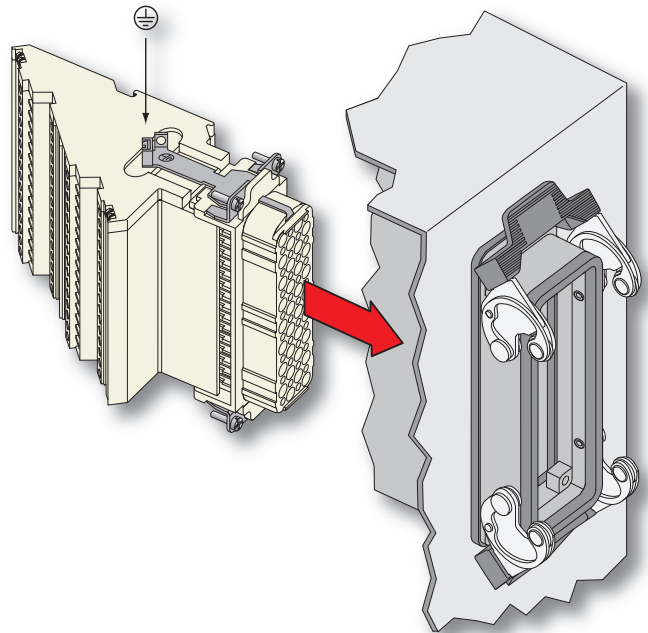


Figure 4 (right mounting)

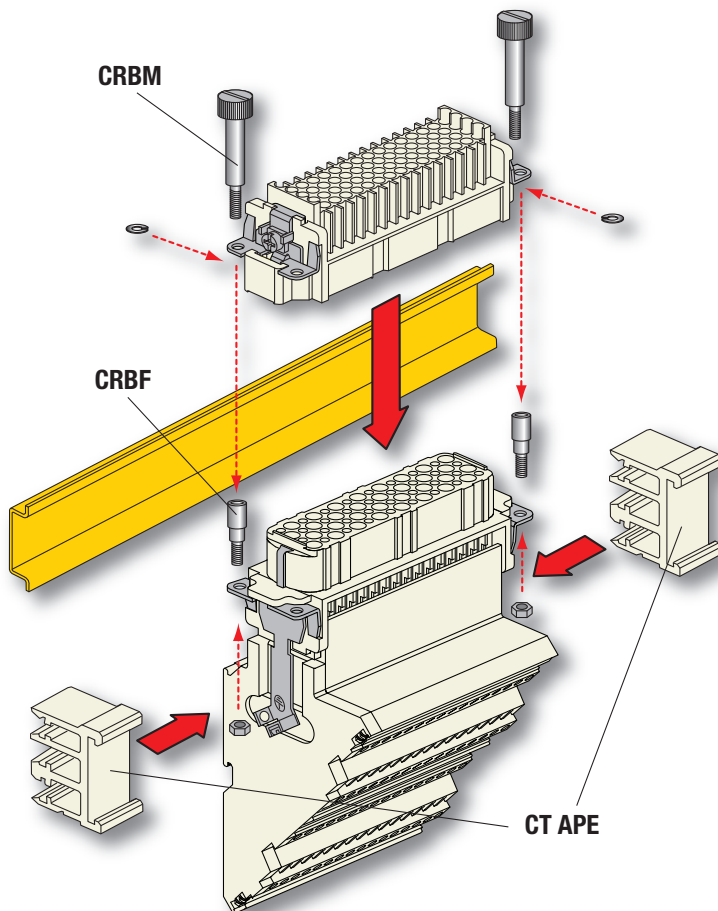
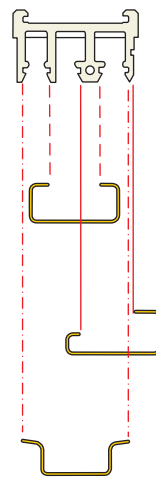


Figure 5 (mounting on DIN rail)



CT APE
possibility of coupling to DIN EN 60715 rail (for a greater stability of the CT inserts of 40 and 64 poles we recommend using the two CT APE supports)

**EN 60715
C 30**

**EN 60715
G 32**

**EN 60715
TH 35-7,5 and TH 35-15**

Accessories for CT inserts

- support for mounting on DIN rail (**CT APE** page 476)
- inserts coupling screws (**CRBM** and **CRBF** page 476)
- cable-clamping plates (**CRAD** and **CRAS** page 476)